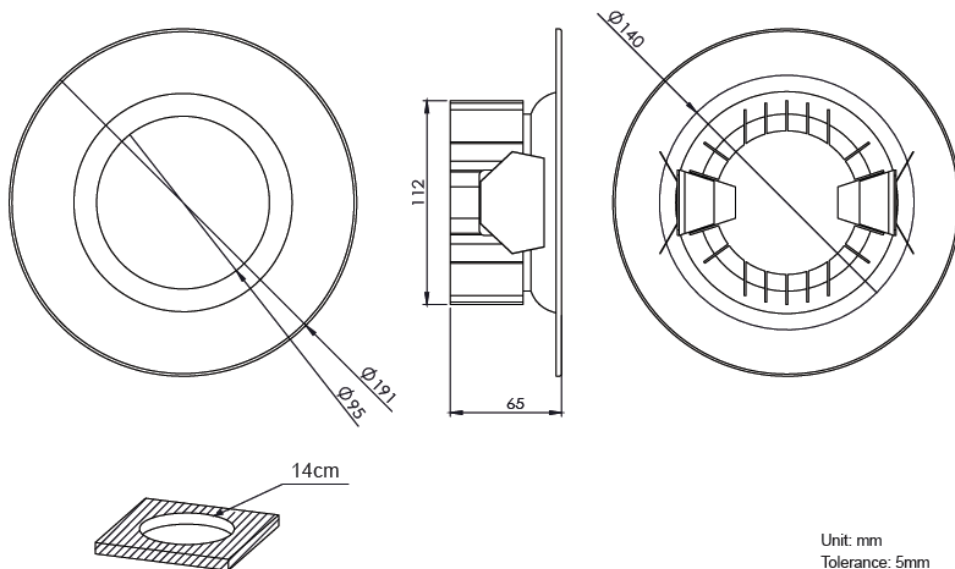


# 15W LED Down Light



## Product Dimension



## Specifications

Item	Symbol	Typical	Unit	Remark
Input voltage	Vin	90-264	Vac	
Input frequency	Fin	50/60	Hz	
Power consumption	Pin	15	W	
Color temperature	CW	5700	K	
	NW	4000		
	WW	3000		
Luminous flux	CW	1350	lm	
	NW	1350		
	WW	1275		
Color rendering index	CRI	90		
Beam angle		112	°	
Operating Temperature	Topr	-30~40		
Warranty		2	Years	

## Scope

Item	Marketing Name	Pin	CCT
CW	CSDL15CW	15W	5700 K
NW	CSDL15NW	15W	4000 K
WW	CSDL15WW	15W	3000 K