

CSHBL-120W

CS High-Bay Light Series



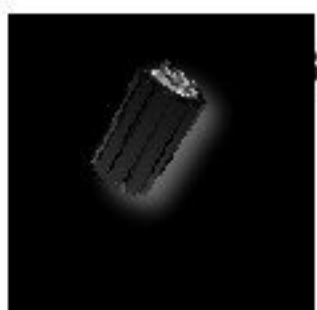
Features



1. Features a high-power COB LED light-source using PI base MCPCB with excellent durability and stability at high temperature.



2. LED light source performed excellent light quality in color, Ra and Δuv with GL exclusive packaging technique.



3. Combine the high-efficiency heat conductive LED module and luminaire to make the luminaire the perfect heat-sink itself.



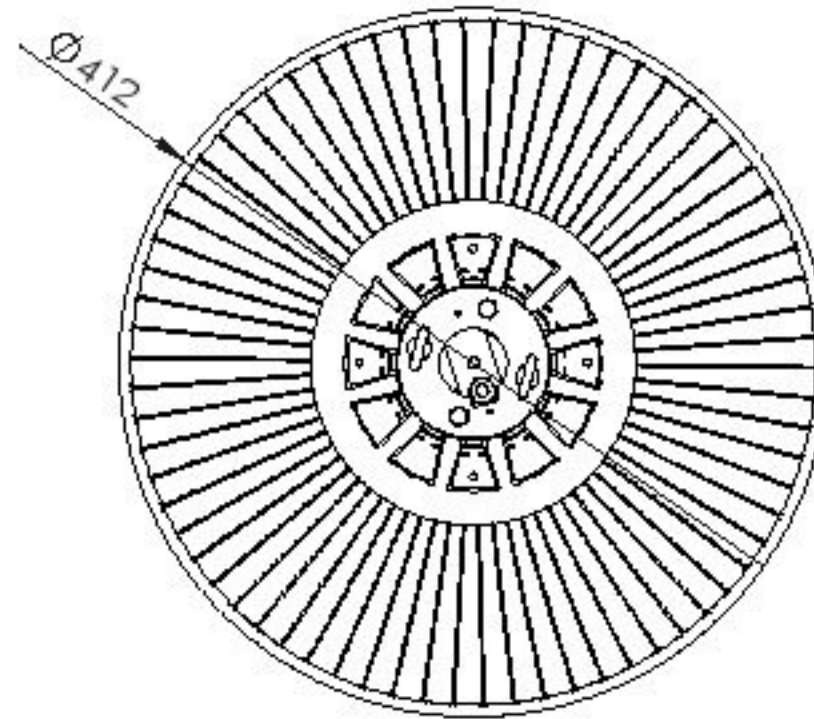
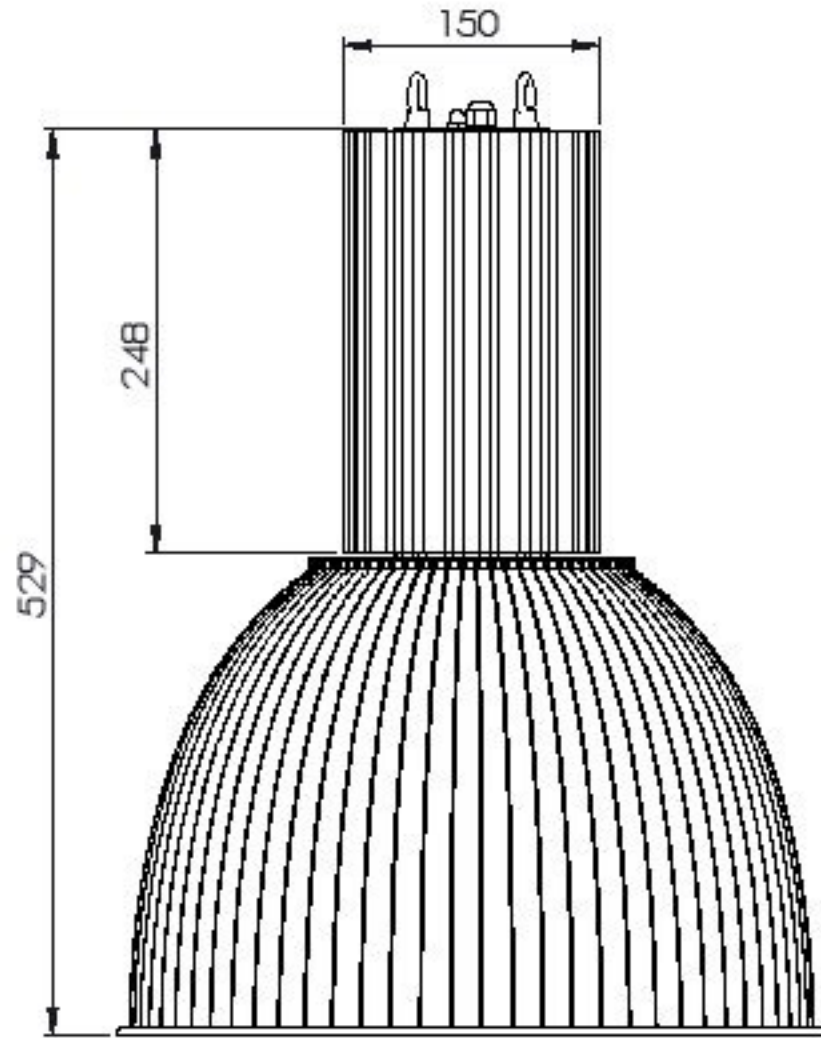
4. All the specification of LED module can be customized.



5. Energy saving and long life time with high efficacy light-source and power inside.

Product Dimension

With Reflector CSRf-PH16W

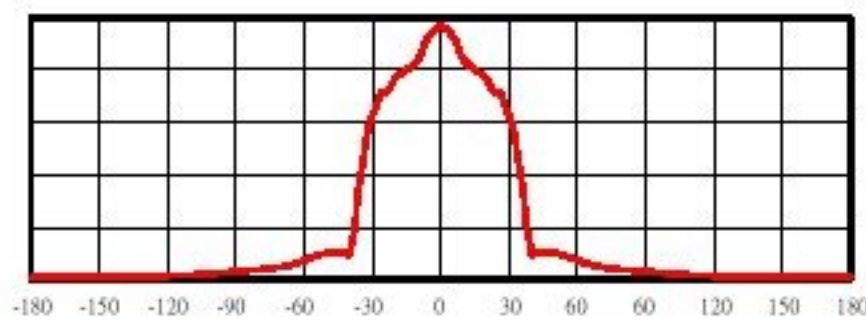
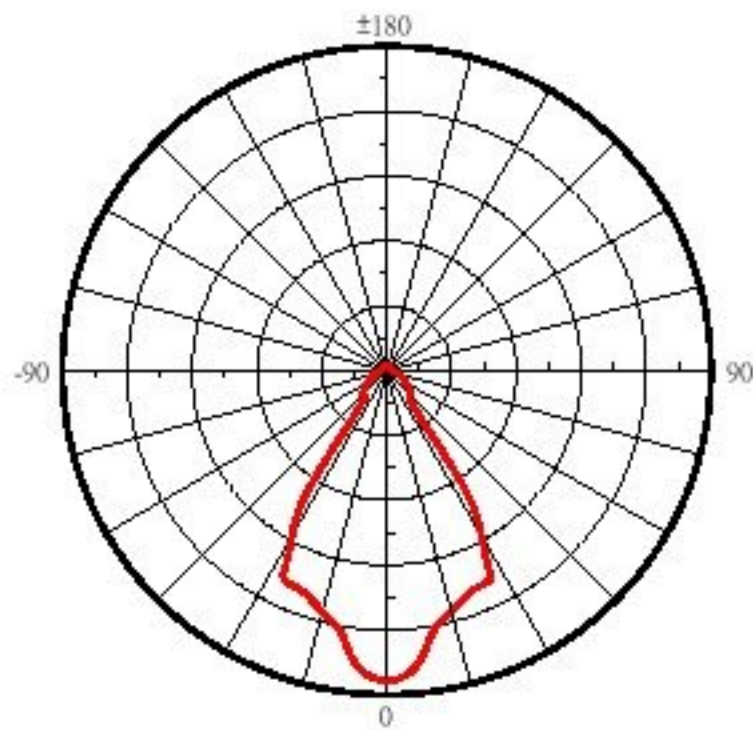


Unit: mm
Tolerance: 5mm

Photometric Curve

With Reflector CSRf-PH16W

Beam Angle 65°



Height	illuminance	Diameter
1. m	7122.31 lx	126.36 cm
2. m	1776.28 lx	258.72 cm
3. m	788.92 lx	388.08 cm
4. m	444.59 lx	517.44 cm
5. m	284.53 lx	646.81 cm
6. m	196.91 lx	776.17 cm
7. m	144.55 lx	905.53 cm
8. m	110.61 lx	1034.89 cm
9. m	87.77 lx	1164.25 cm
10. m	70.63 lx	1293.61 cm
12. m	49.09 lx	1552.33 cm

Notice: Some of data are calculated from reference measurement result.

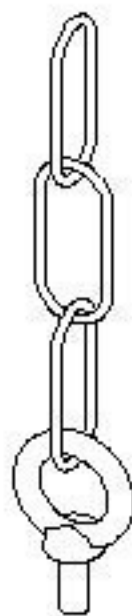
Specification

Items	Value	Unit	Remarks
Power	120	W	Total
Input Voltage	90 - 264	VAC	
Color Temperature	2800 - 6500	K	Customizable
Luminous Efficacy (Light Source)	> 110	lm/W	@ 6500K
Luminous Efficacy (Total)	> 80	lm/W	@ 6500K with luminaire and power
Color Rendering Index	> 70, Max. 90	---	Customizable
Color Difference Δuv	+0.004 ~ -0.004		
Operating Temperature	-30 ~ 60	°C	
Weight	4.16	Kg	with 1M cable, Reflector CSRf-PH16W
Warranty	2 years warranty		

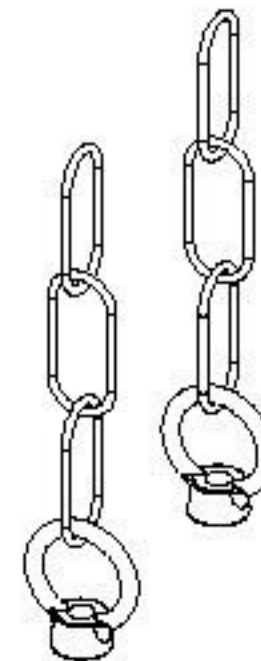
Power consumption has 10% tolerance.
Higher CRI or lower CCT will bring lower efficacy.
Efficacy may not be the same with different reflector.

Mounting Parts

Type A : Single Chain

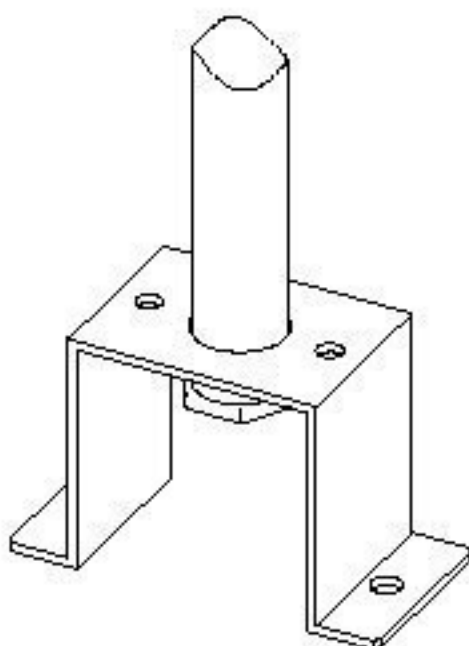


Type B : Double Chains



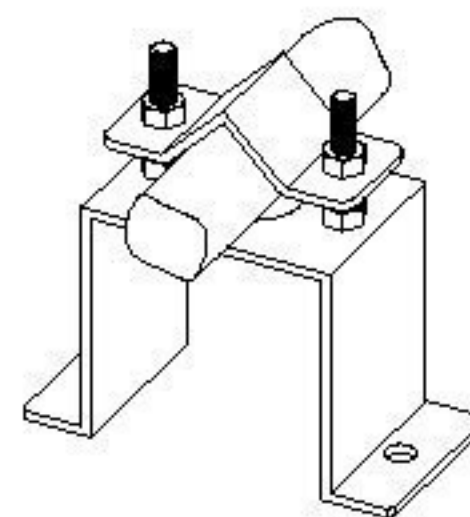
Standard

Type C : For Vertical Pipe



Pipe: < $\varnothing 20$ (3/4")

Type D : For Horizontal Pipe

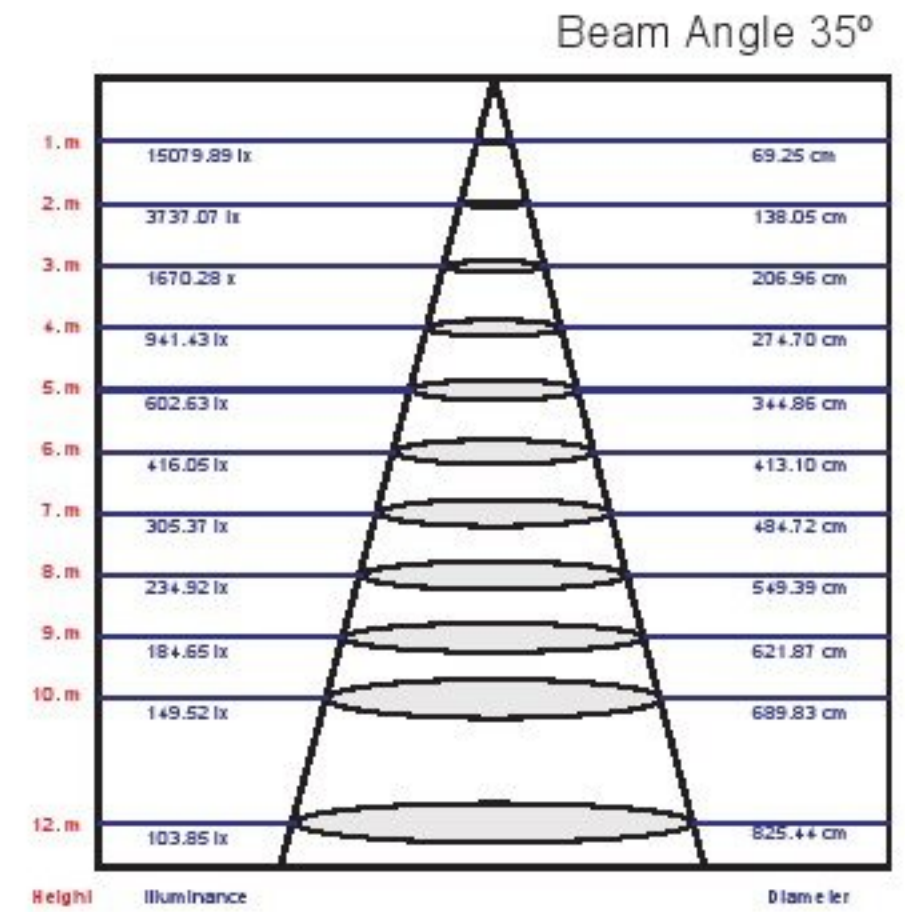
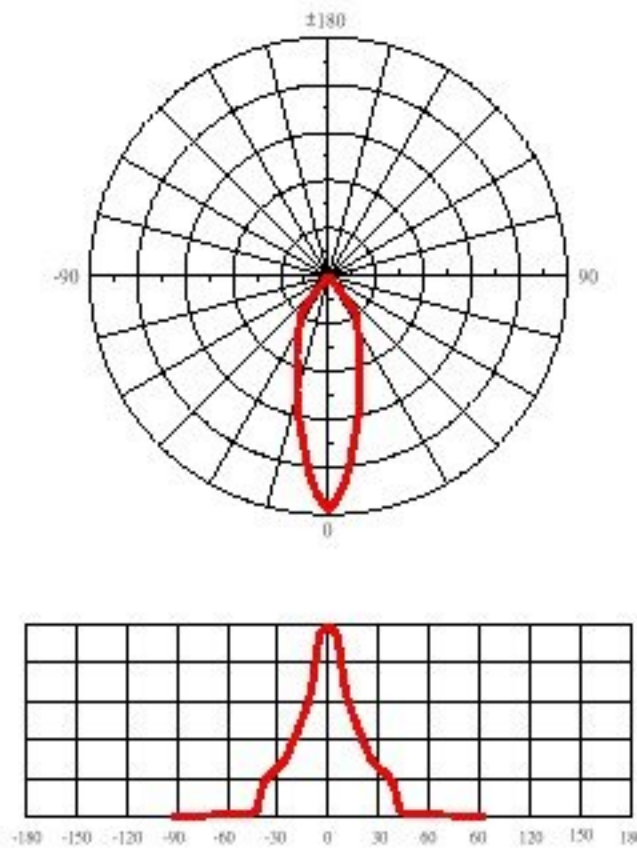
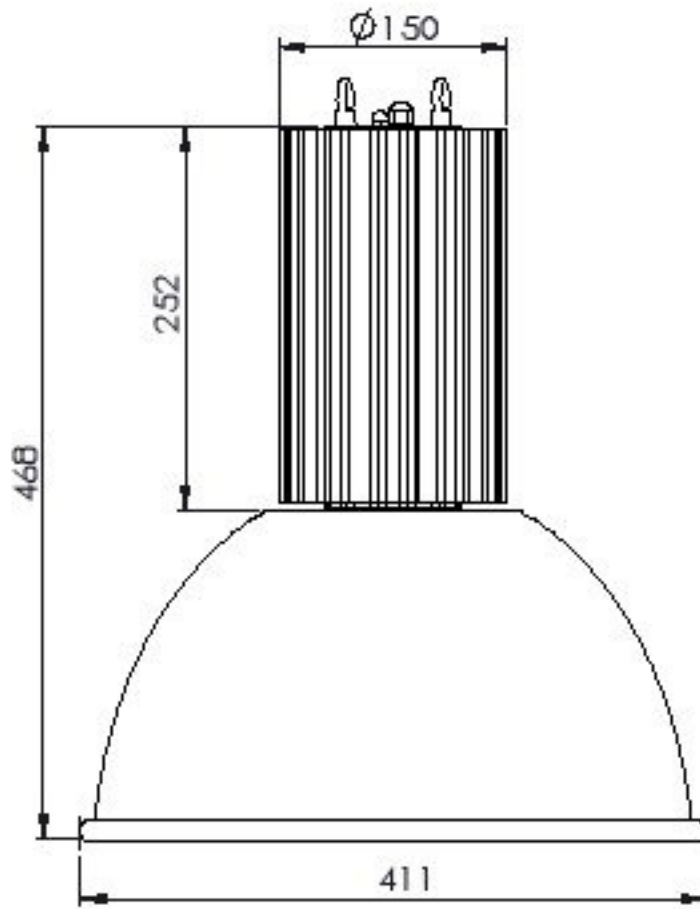


Pipe: < $\varnothing 30$

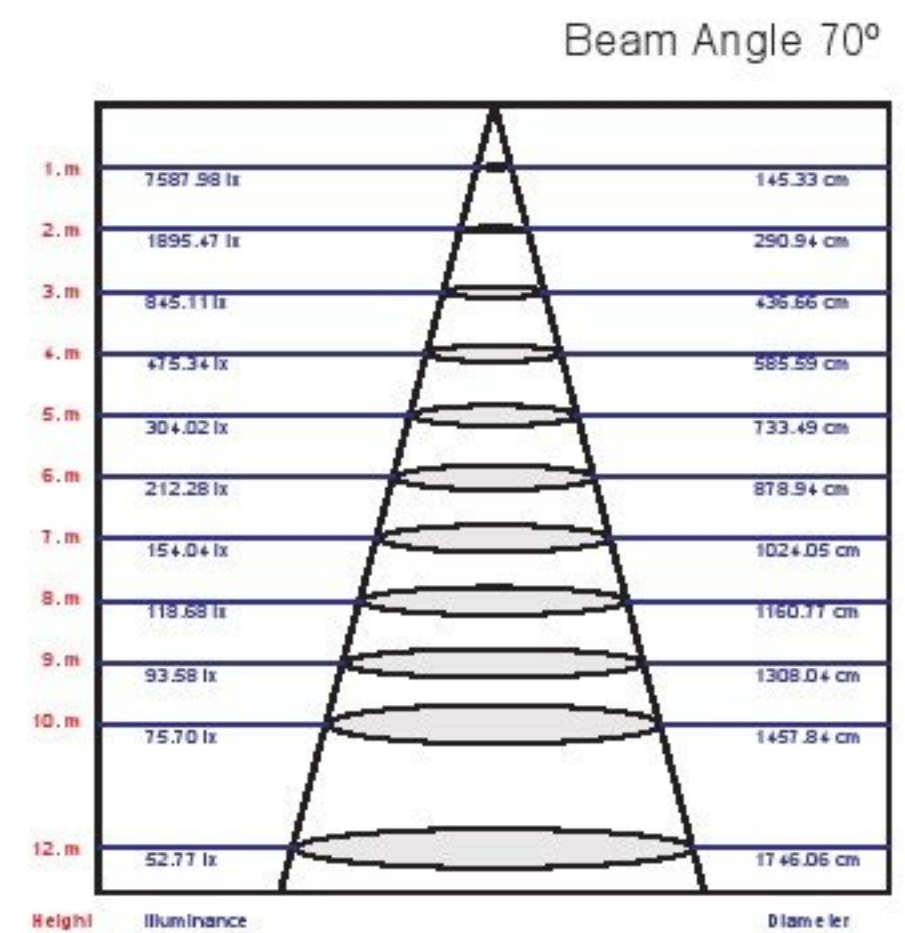
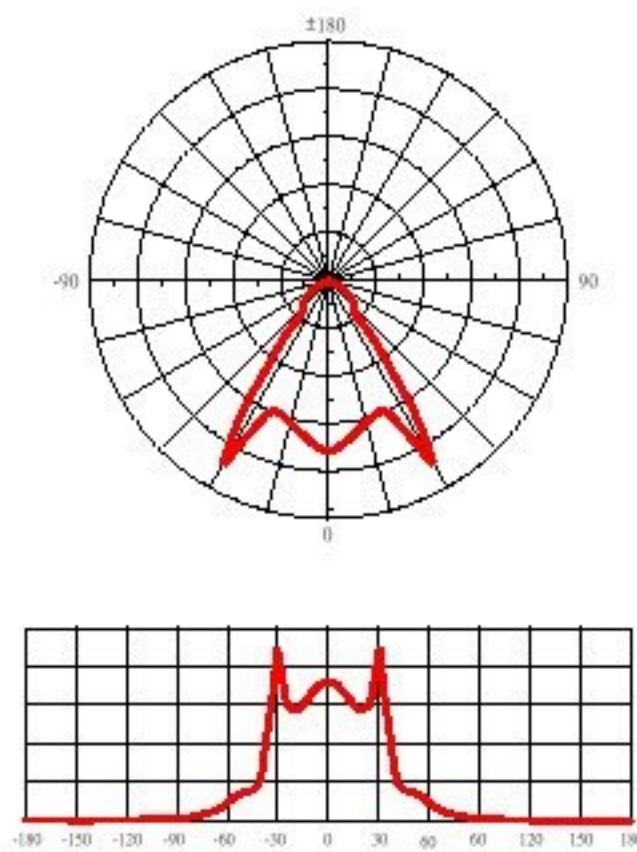
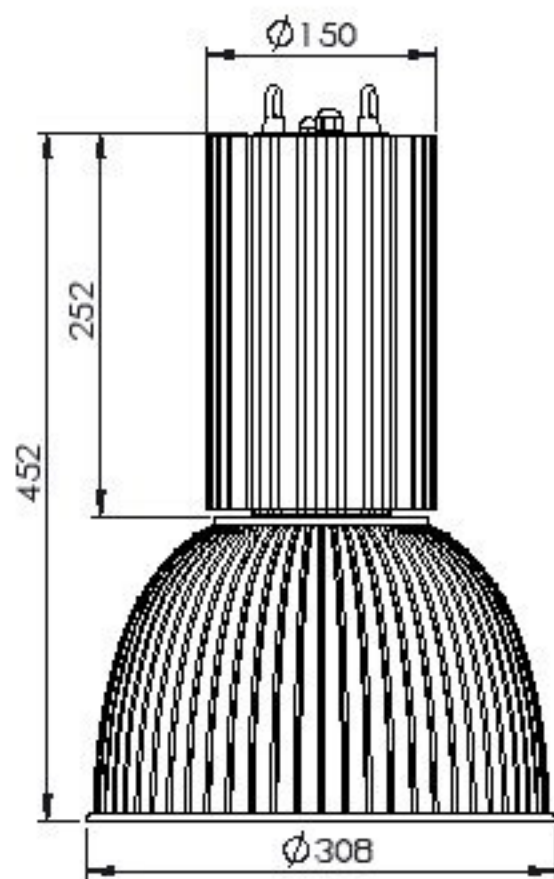
Notes: Parts does not include pipe.

Reflector Family

CSRf-AH16W



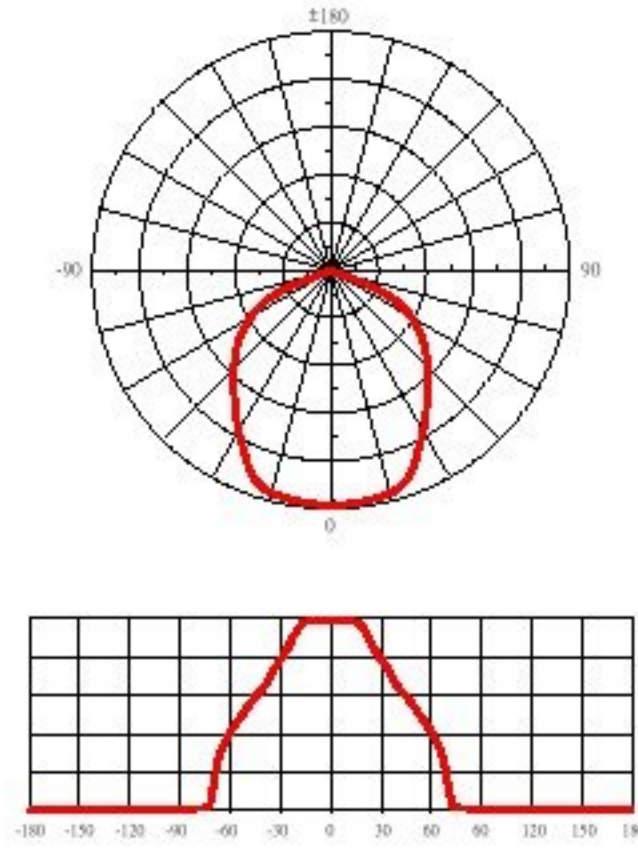
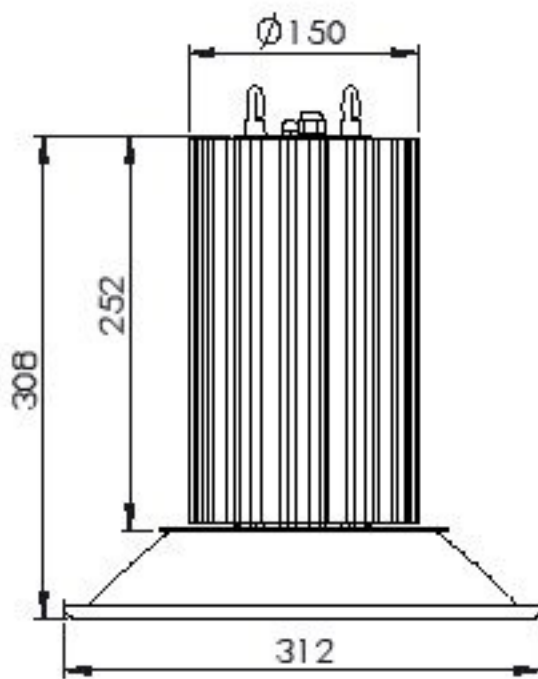
CSRf-PH12W



- Notes :
1. Angle has $\pm 5^\circ$ tolerance.
 2. Flux is measured with an accuracy of $\pm 10\%$.
 3. Flux may decay 10% under thermal balance condition.
 4. Some of data are calculated from reference measurement result.

Reflector Family

CSRf-AH310W



Beam Angle 108°

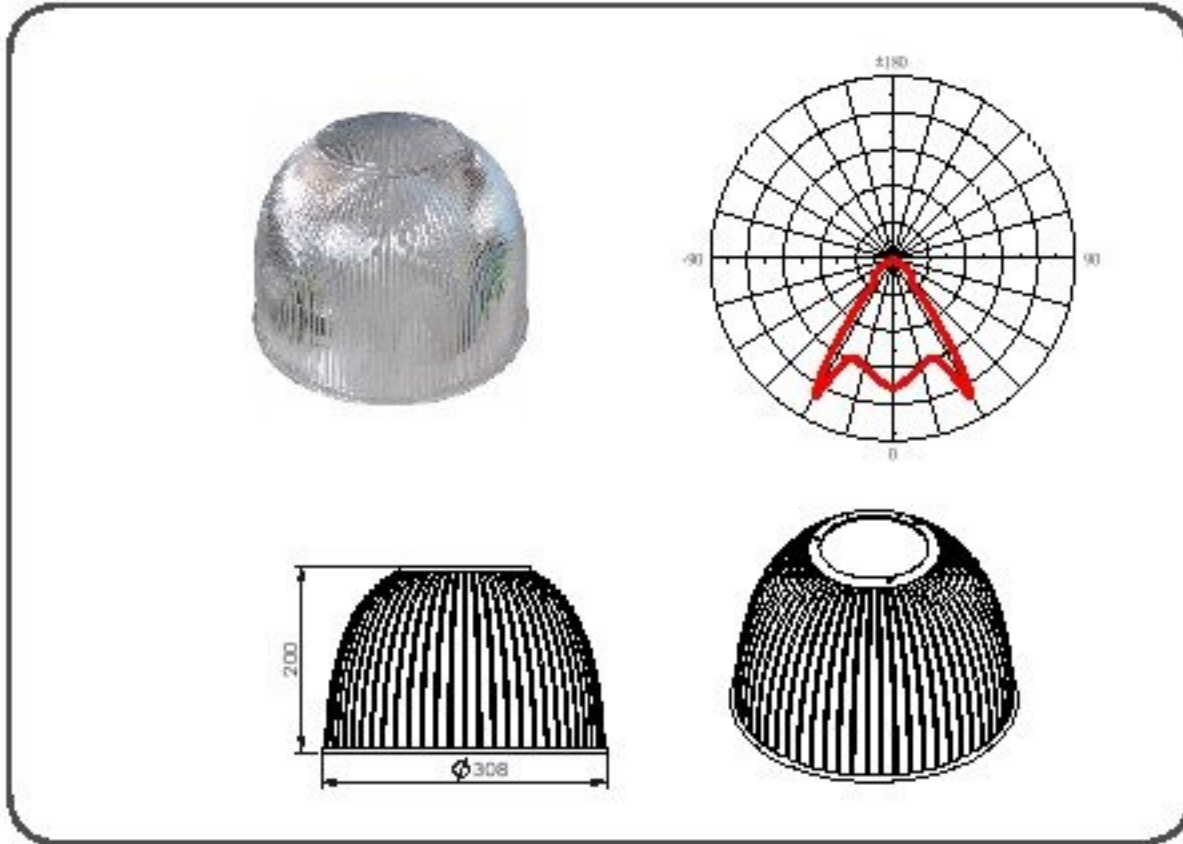
Height	Illuminance	Diameter
1. m	3854.48 lx	270.52 cm
2. m	969.33 lx	542.03 cm
3. m	431.40 lx	815.25 cm
4. m	241.10 lx	1087.15 cm
5. m	154.99 lx	1352.93 cm
6. m	106.99 lx	1625.22 cm
7. m	78.80 lx	1894.43 cm
8. m	60.31 lx	2172.01 cm
9. m	47.84 lx	2452.60 cm
10. m	38.81 lx	2713.19 cm
12. m	26.93 lx	3262.17 cm

- Notes :
1. Angle has $\pm 5^\circ$ tolerance.
 2. Flux is measured with an accuracy of $\pm 10\%$.
 3. Flux may decay 10% under thermal balance condition.
 4. Some of data are calculated from reference measurement result.

Reflector Family

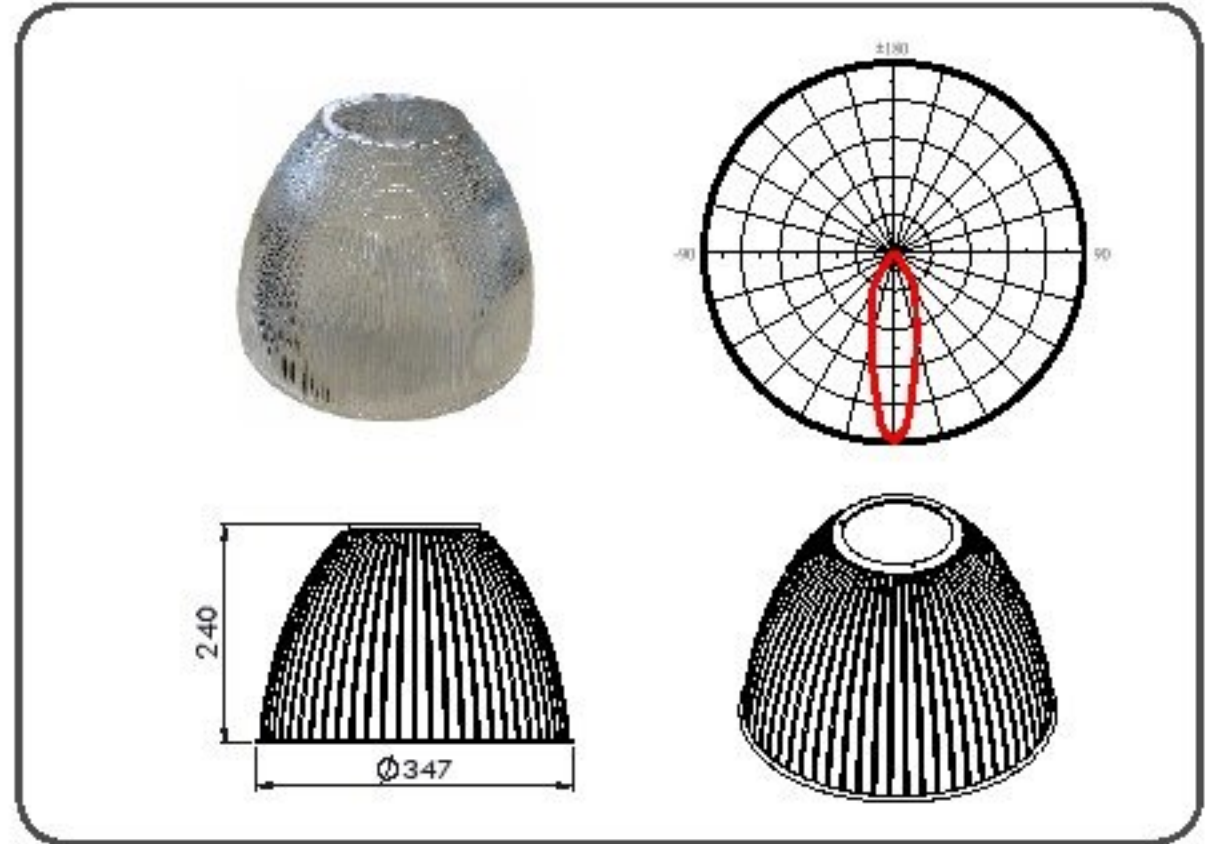
CSRf-PH12W

Beam Angle 70°



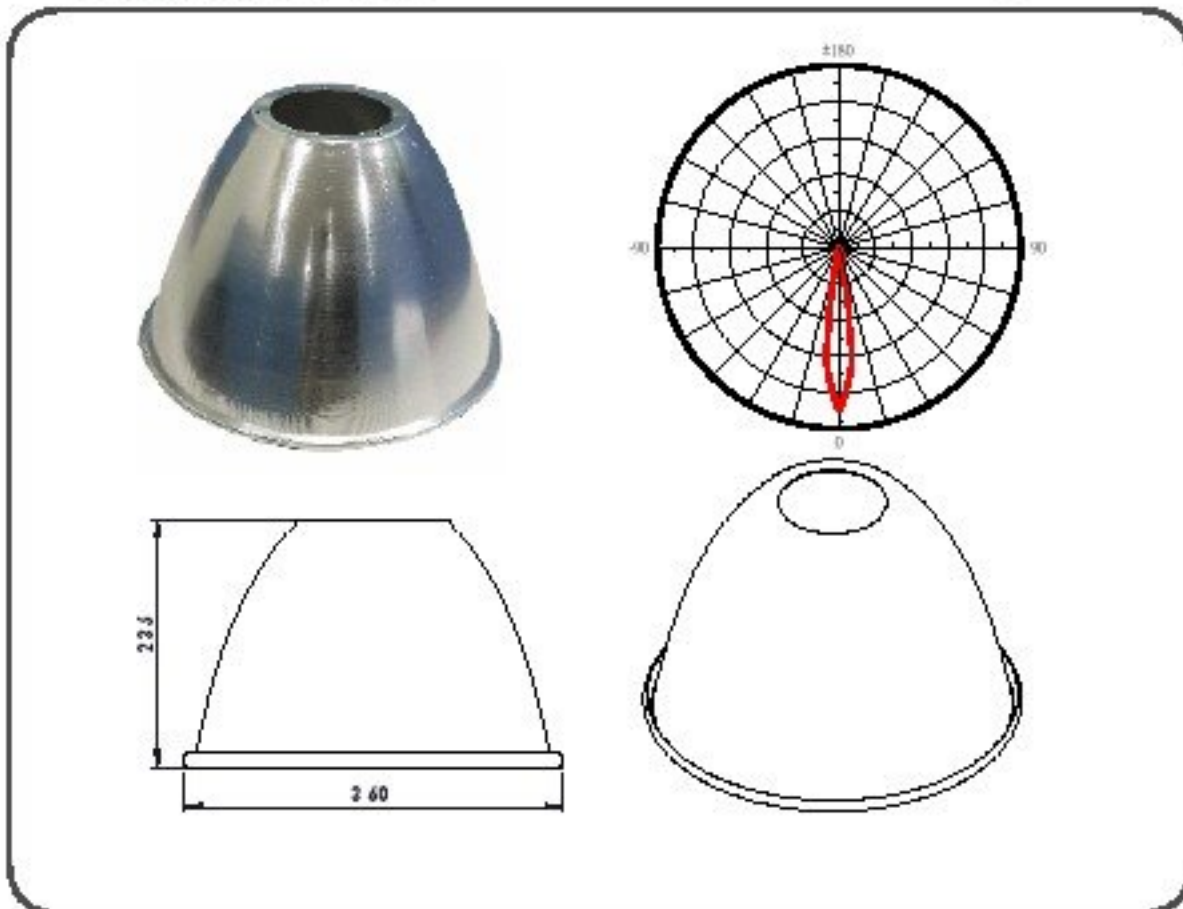
CSRf-PH14W

Beam Angle 25°



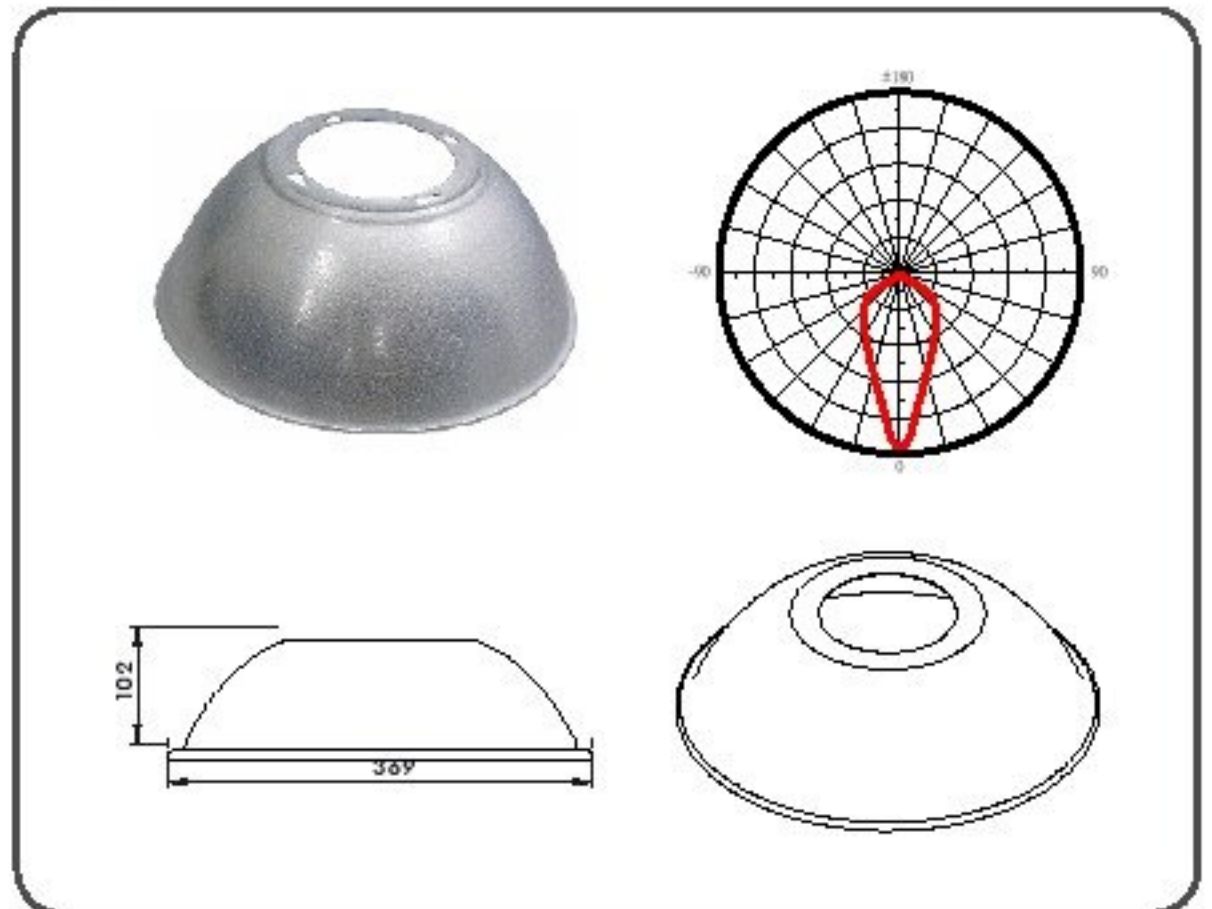
CSRf-AS20D

Beam Angle 18°



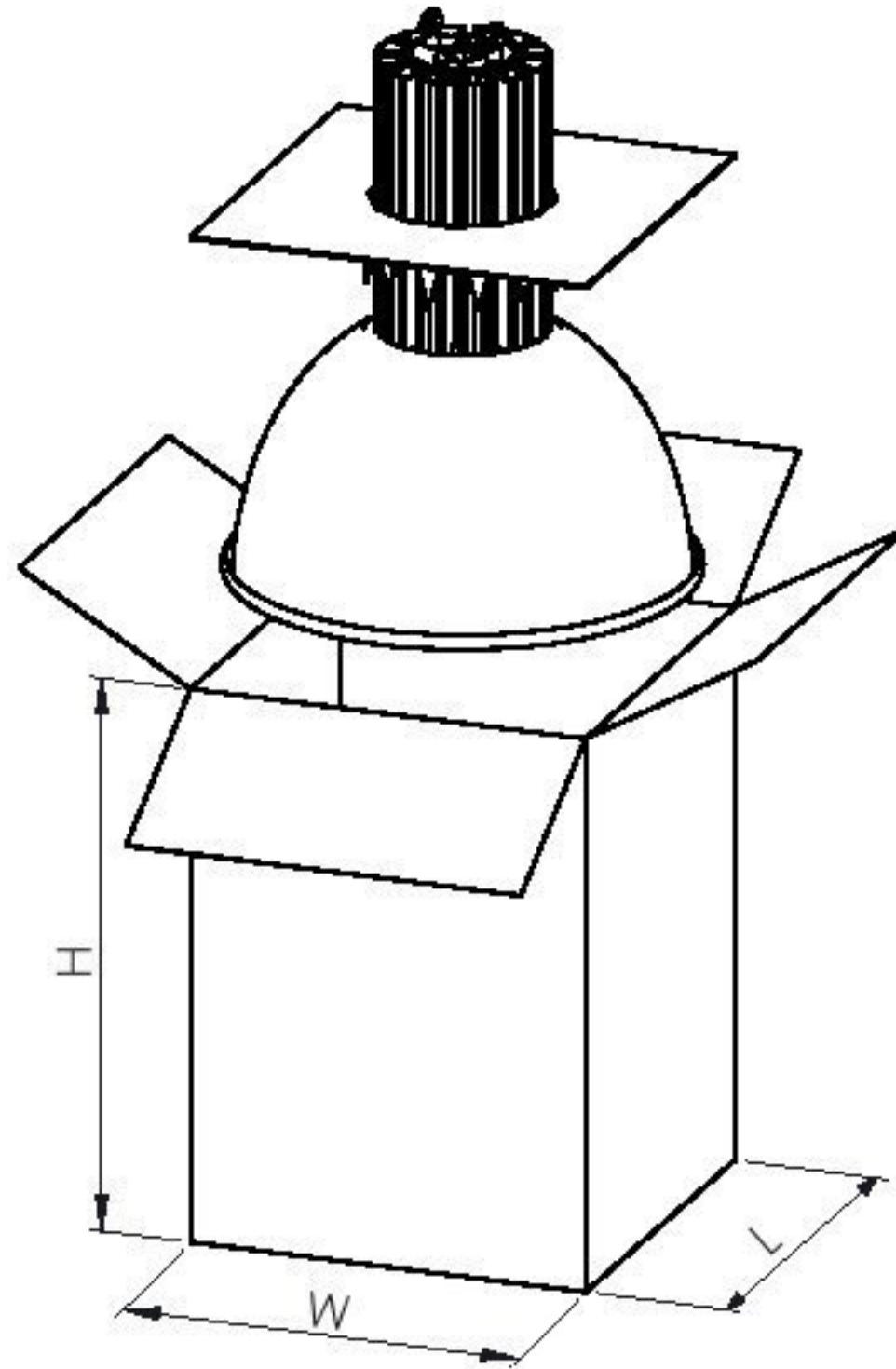
CSRf-AH370W

Beam Angle 48°



Unit: mm Notice: The actual scales of reflector might not be the same because of the different type of main structure.

Package Information



Items	W	L	H	Weight
CSHBL120- CSRf-PH16W	47 cm	47 cm	63 cm	6.1 Kg
CSHBL120- CSRf-PH12W	40 cm	40 cm	53 cm	4.8 Kg
CSHBL120- CSRf-AH16W	47 cm	47 cm	63 cm	5.5 Kg
CSHBL120- CSRf-AH310W	36 cm	36 cm	40 cm	3.2 Kg