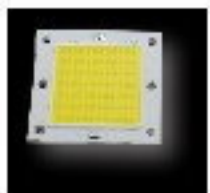


CSHBL-150W

CS High-Bay Light Series



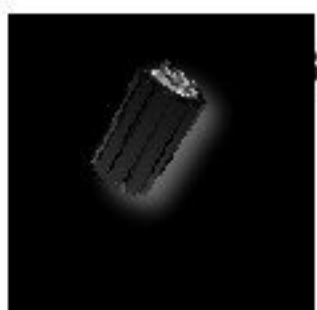
Features



1. Features a high-power COB LED light-source using PI base MCPCB with excellent durability and stability at high temperature.



2. LED light source performed excellent light quality in color, Ra and Δuv with GL exclusive packaging technique.



3. Combine the high-efficiency heat conductive LED module and luminaire to make the luminaire the perfect heat-sink itself.



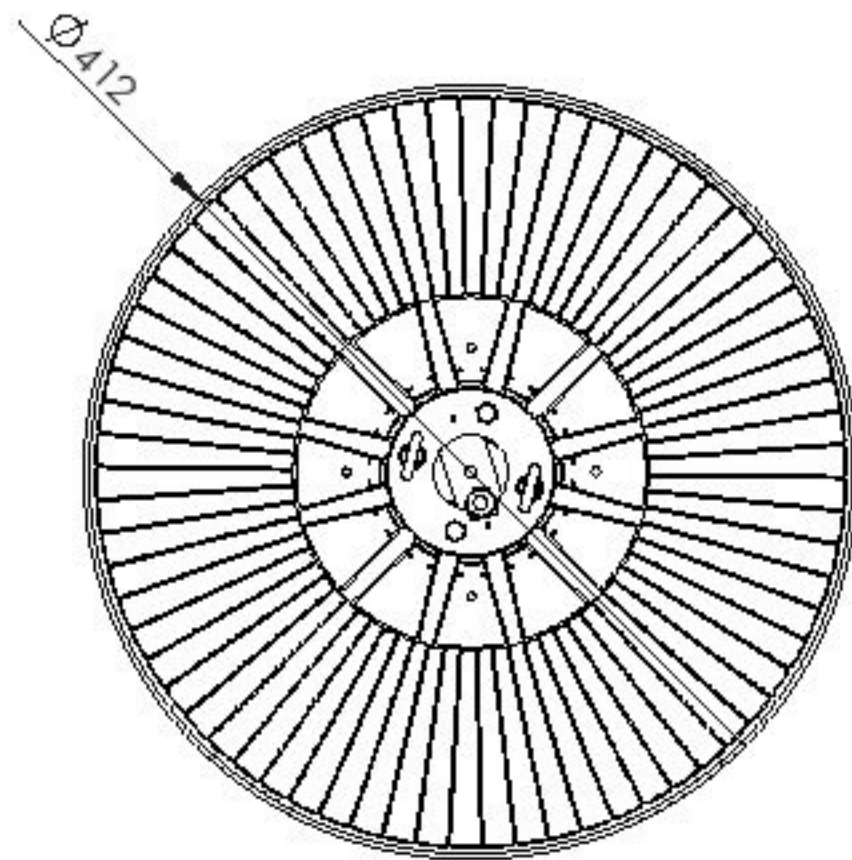
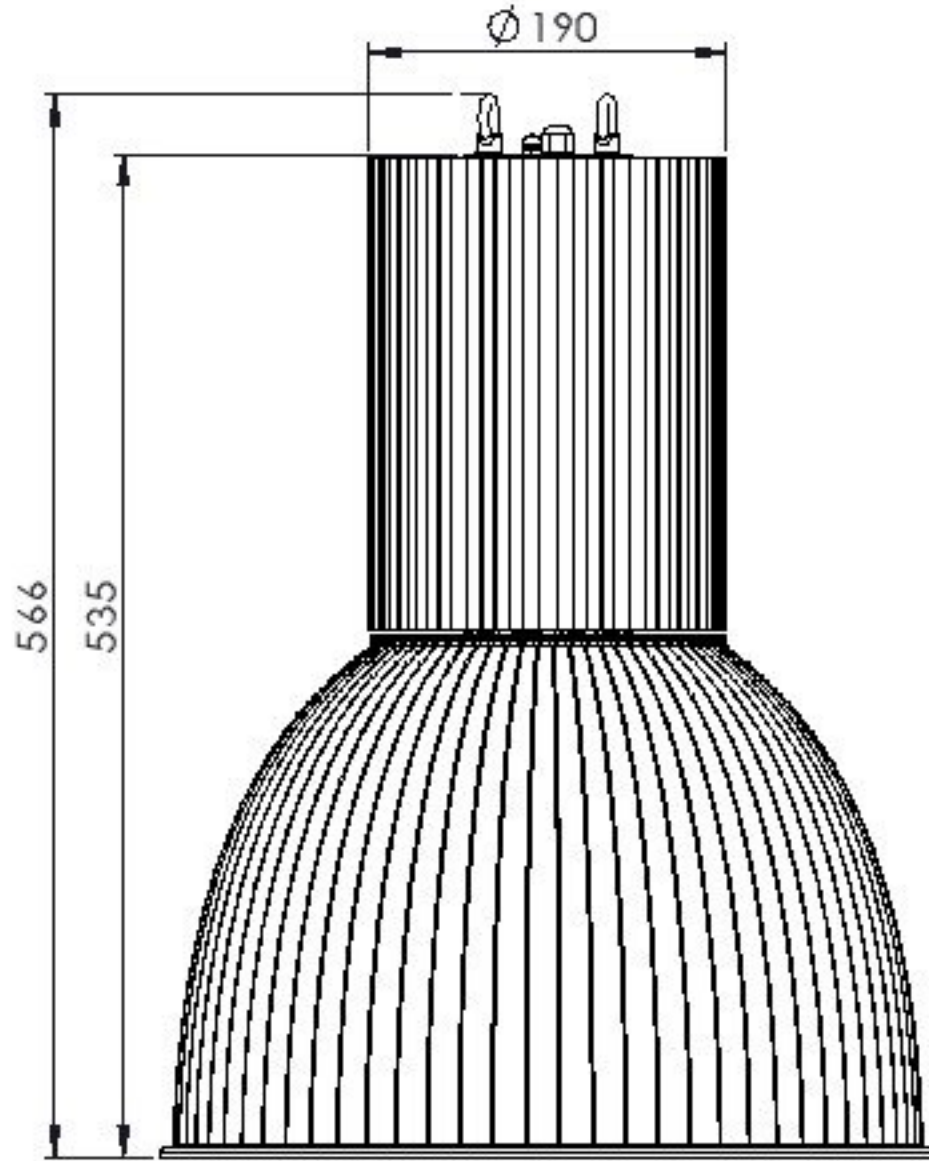
4. All the specification of LED module can be customized.



5. Energy saving and long life time with high efficacy light-source and power inside.

Product Dimension

With Reflector CSRf-PH16W

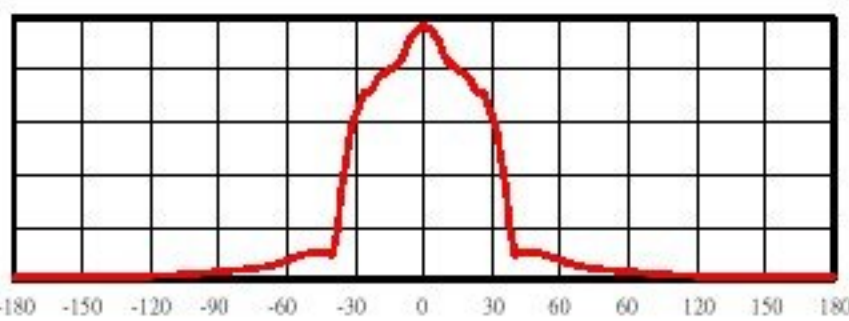
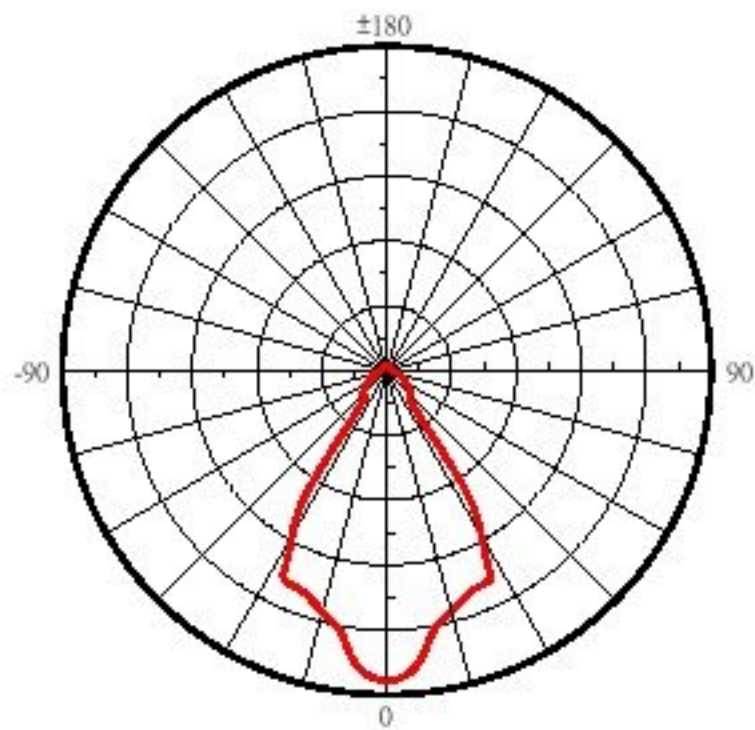


Unit: mm
Tolerance: 5mm

Photometric Curve

With Reflector CSRf-PH16W

Beam Angle 65°



Height	illuminance	Diameter
1. m	8900.98 lx	125.77 cm
2. m	2220.92 lx	259.56 cm
3. m	985.29 lx	387.32 cm
4. m	551.70 lx	515.52 cm
5. m	353.61 lx	645.97 cm
6. m	247.48 lx	773.37 cm
7. m	181.37 lx	905.08 cm
8. m	138.24 lx	1031.53 cm
9. m	109.47 lx	1159.44 cm
10. m	88.82 lx	1288.53 cm
12. m	61.88 lx	1553.98 cm

Notice: Some of data are calculated from reference measurement result.

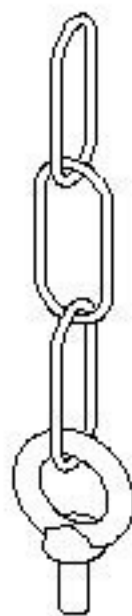
Specification

Items	Value	Unit	Remarks
Power	150	W	Total
Input Voltage	90 - 264	VAC	
Color Temperature	2800 - 6500	K	Customizable
Luminous Efficacy (Light Source)	> 110	lm/W	@ 6500K
Luminous Efficacy (Total)	> 80	lm/W	@ 6500K with luminaire and power
Color Rendering Index	> 70, Max. 90	---	Customizable
Color Difference Δuv	+0.004 ~ -0.002		
Operating Temperature	-30 ~ 60	°C	
Weight	4.21	Kg	with 1M cable
Warranty	2 years warranty		

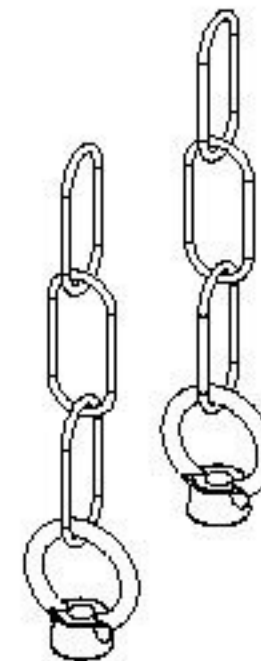
Power consumption has 10% tolerance.
Higher CRI or lower CCT will bring lower efficacy.
Efficacy may not be the same with different reflector.

Mounting Parts

Type A : Single Chain

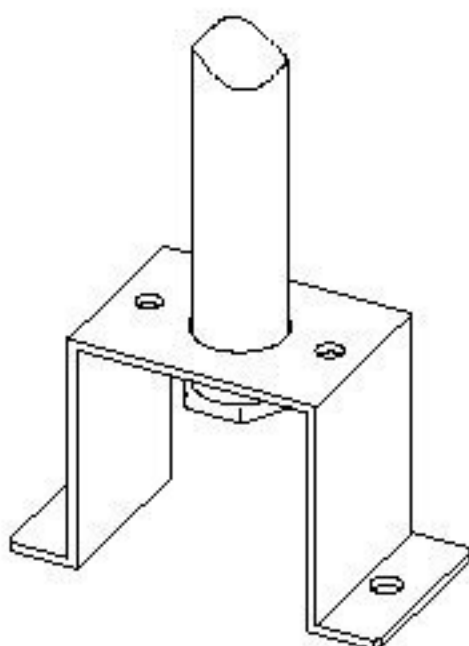


Type B : Double Chains



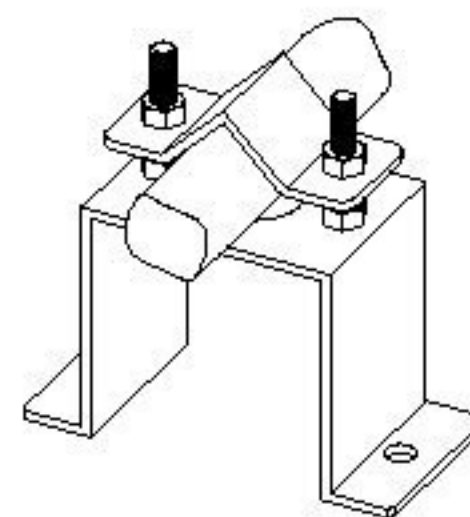
Standard

Type C : Vertical Pipe



Pipe: < $\varnothing 20$ (3/4")

Type D : horizontal Pipe



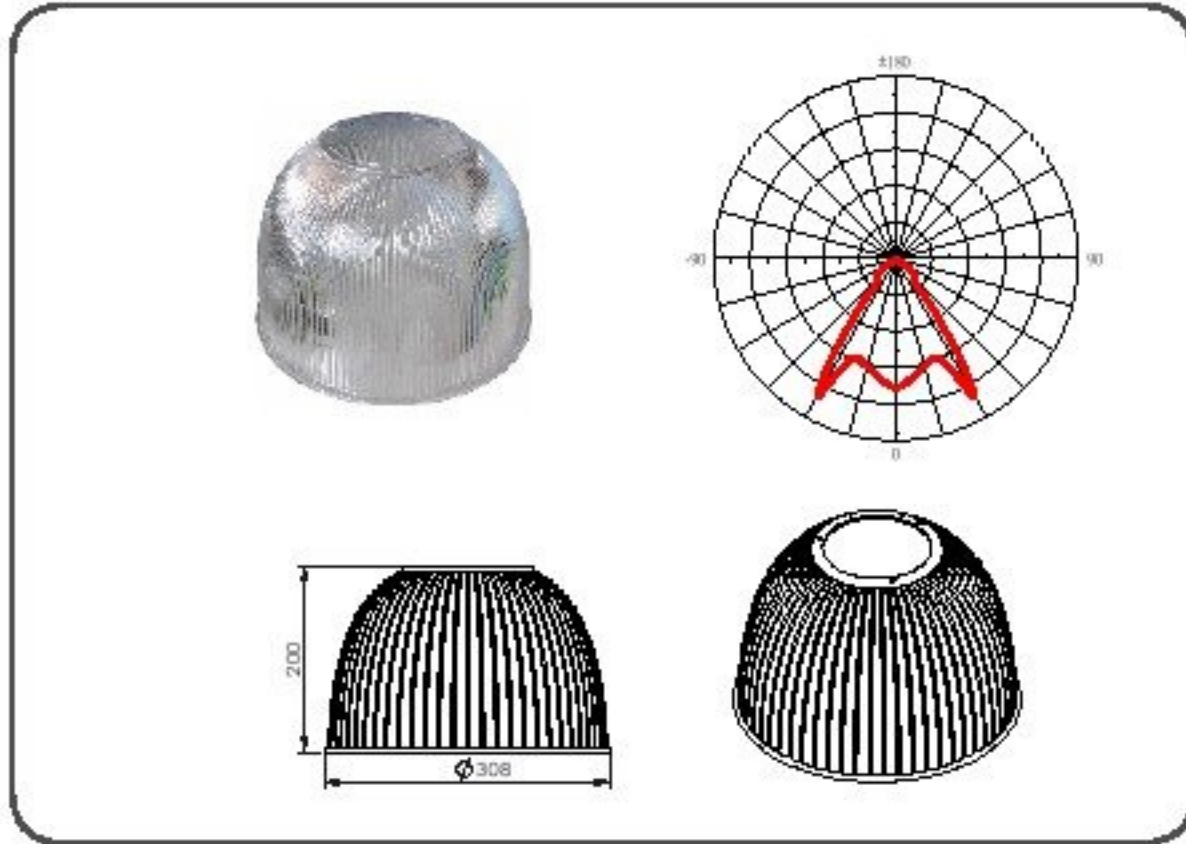
Pipe: < $\varnothing 30$

Notes: Parts does not include pipe.

Reflector Family

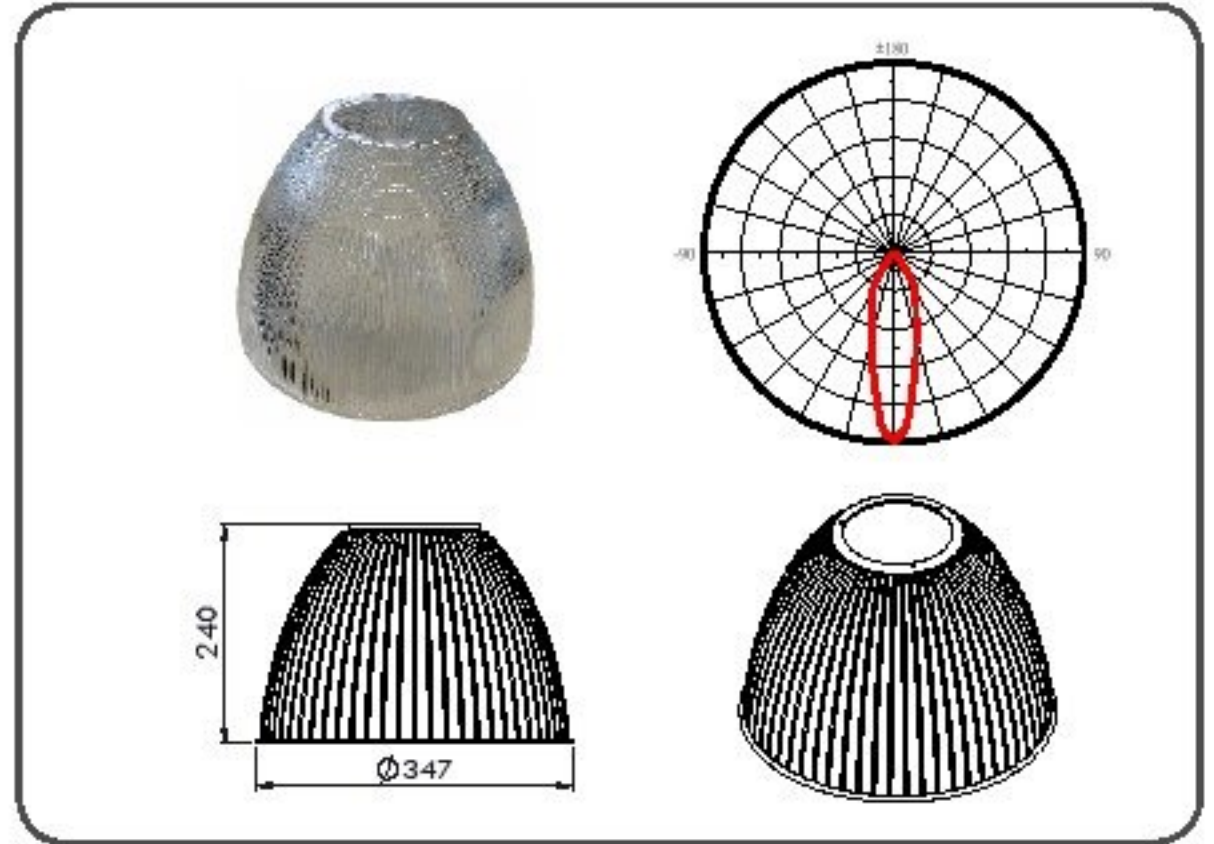
CSRf-PH12W

Beam Angle 70°



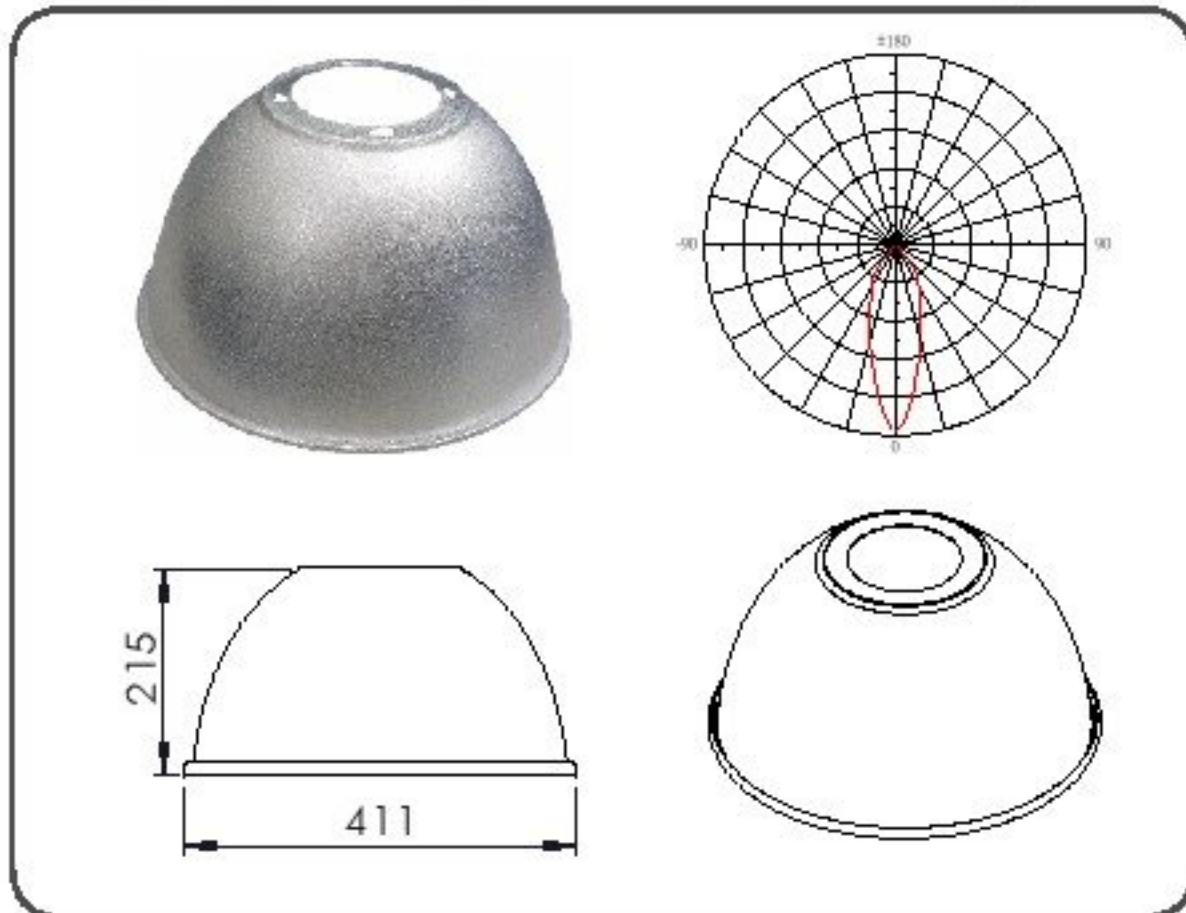
CSRf-PH14W

Beam Angle 25°



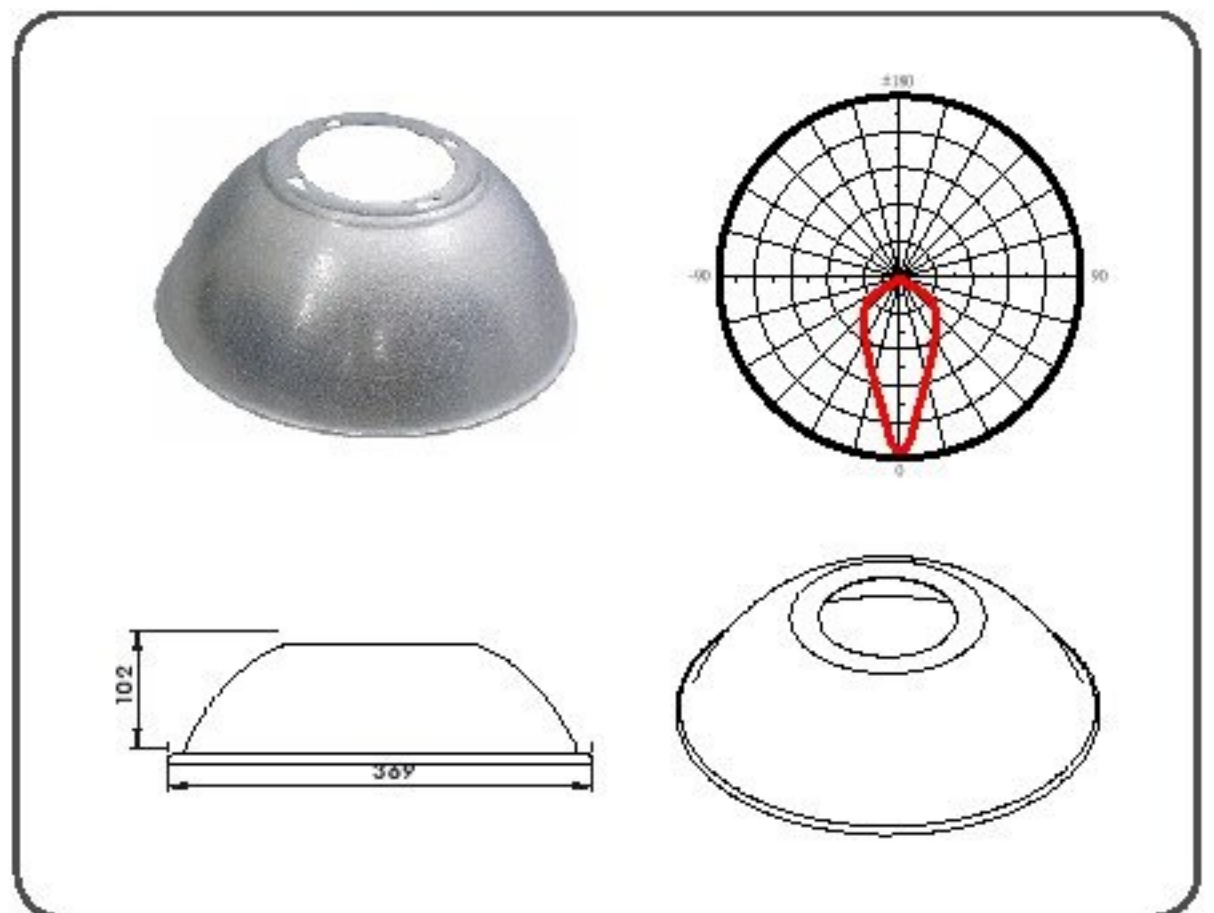
CSRf-AH16W

Beam Angle 35°



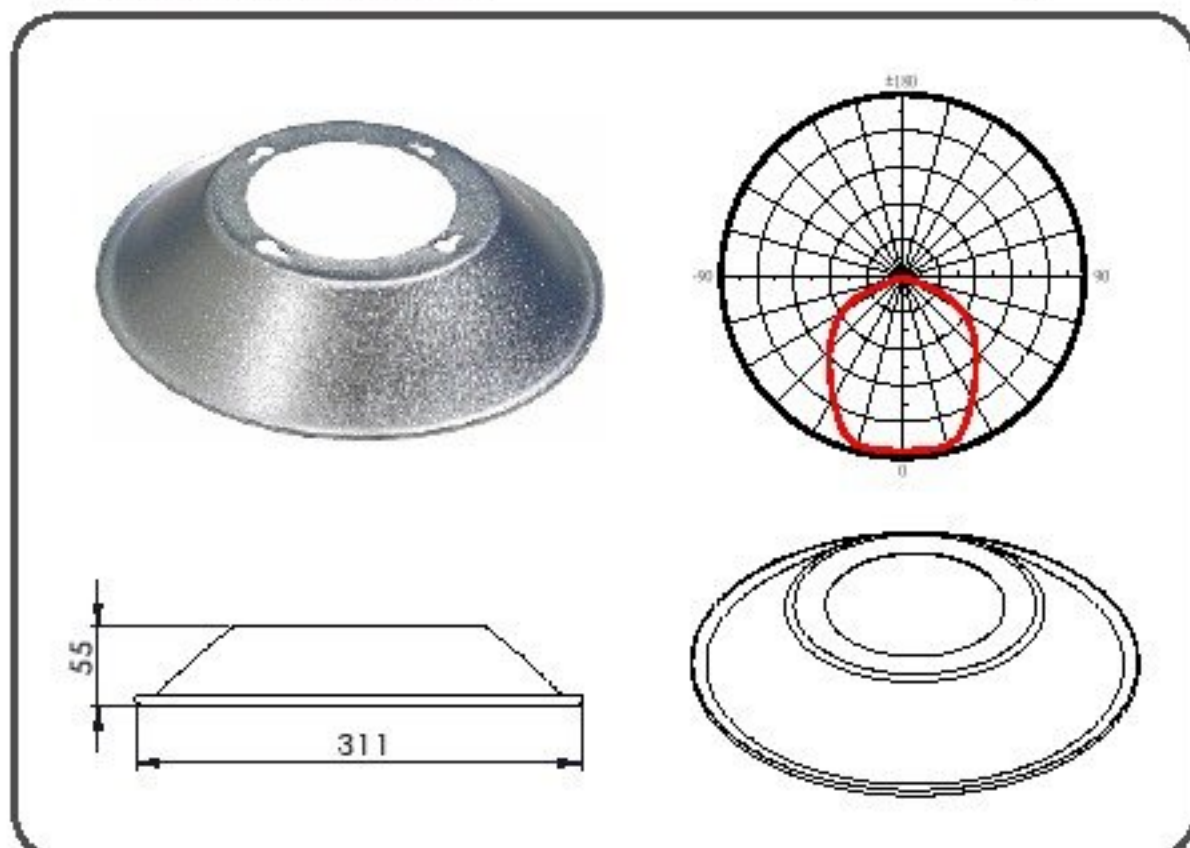
CSRf-AH370W

Beam Angle 48°



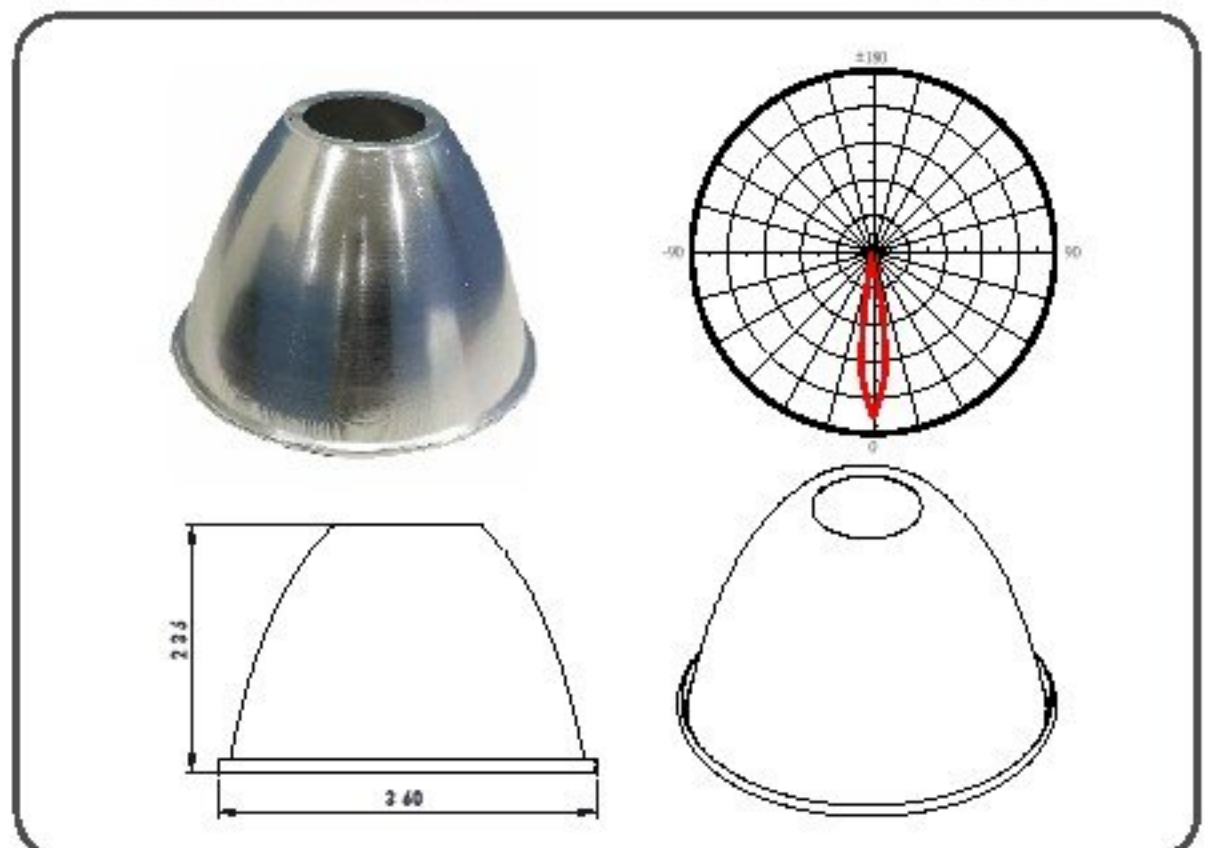
CSRf-AH310W

Beam Angle 108°



CSRf-AS20D

Beam Angle 18°



Unit: mm Notice: The actual scales of reflector might not be the same because of the different type of main structure.