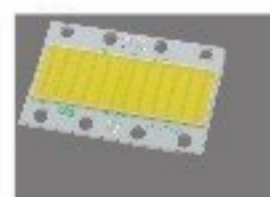


CSWSPL-200W

CS Wide Spot Light Series



Features



1. Features a high-power COB LED light-source using PI base MCPCB with excellent durability and stability at high temperature.



2. LED light source performed excellent light quality in color.



3. Combine the high-efficiency heat conductive LED module and luminaire to make the luminaire the perfect heat-sink itself.

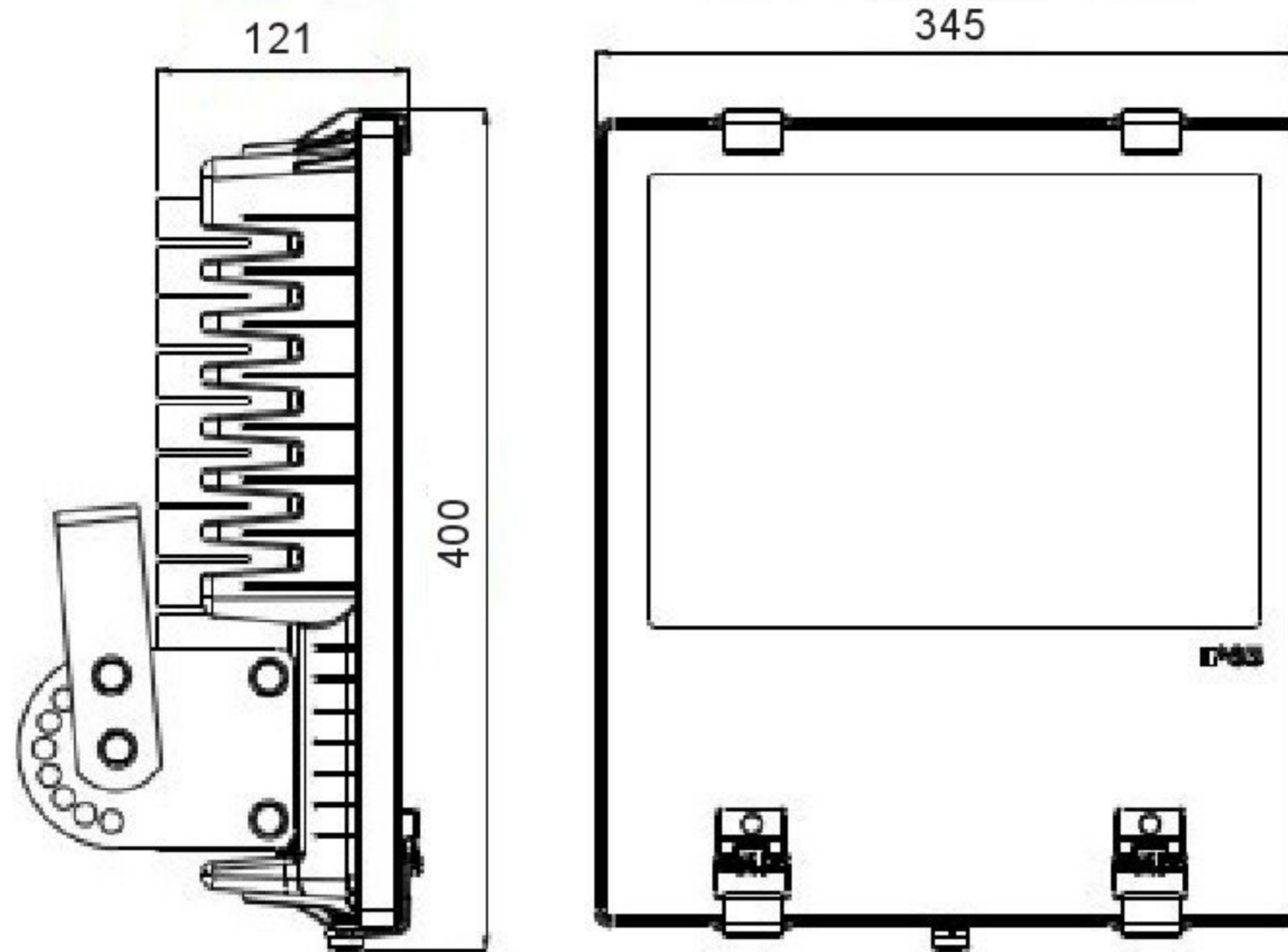


4. All the specification of LED module can be customized.



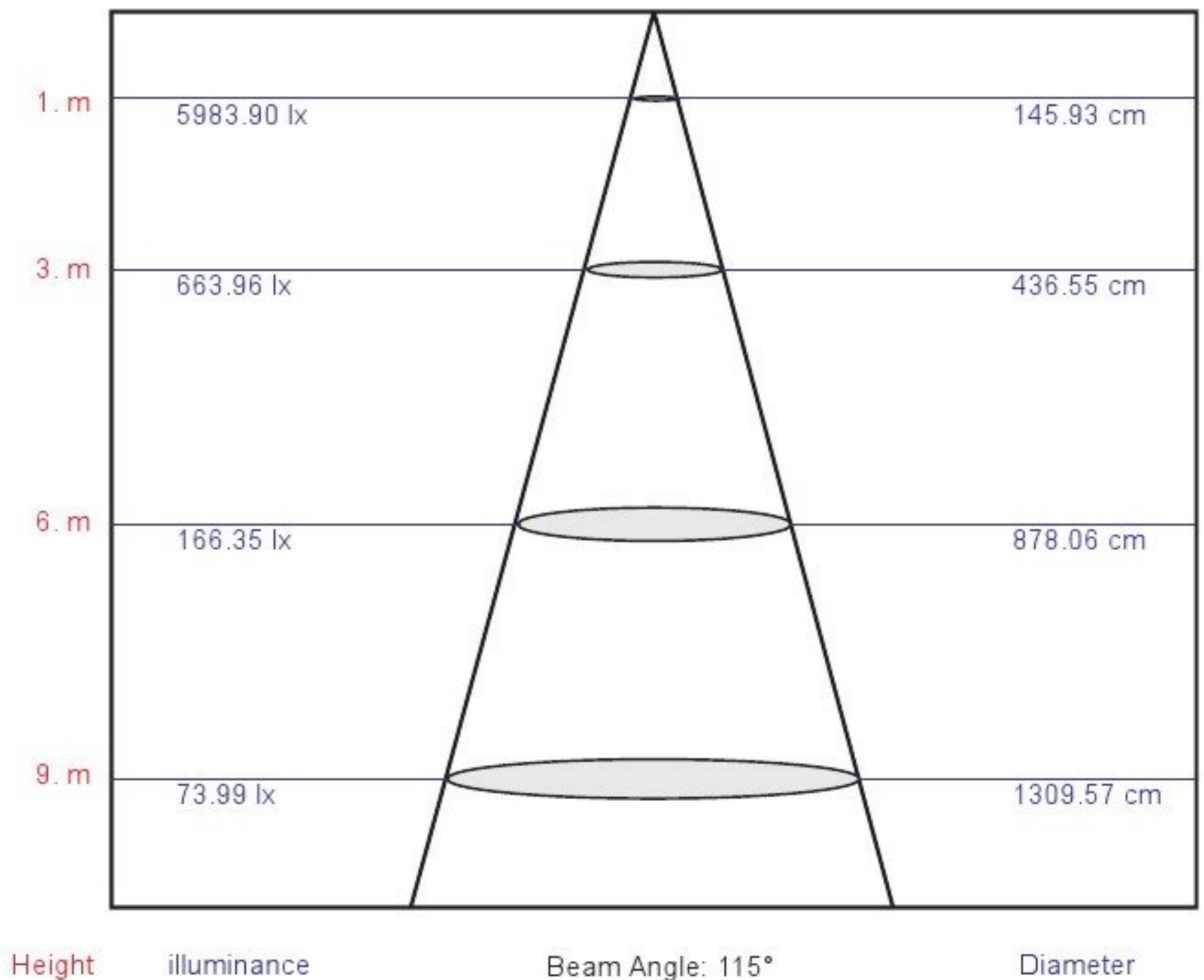
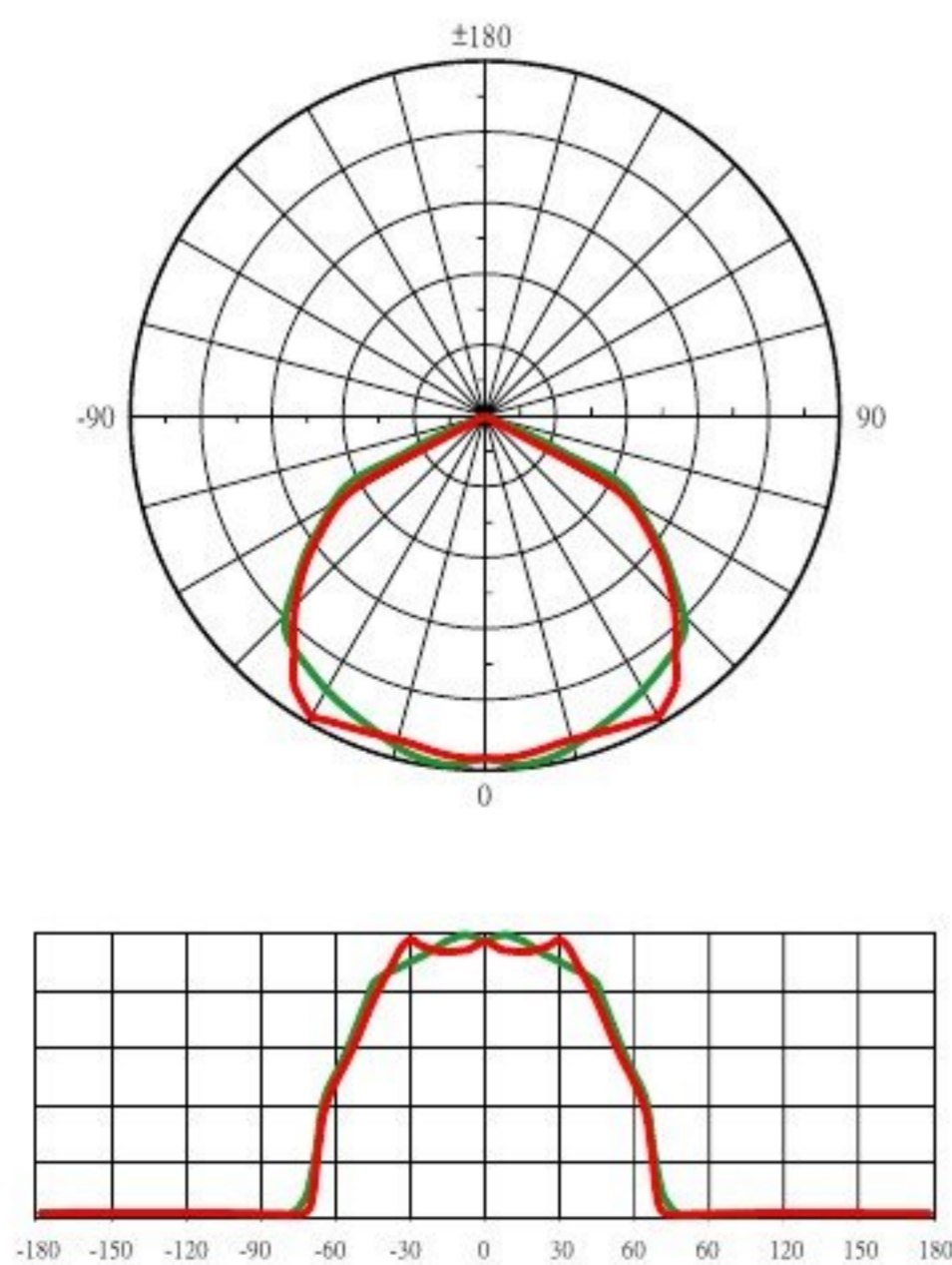
5. Energy saving and long life time with high efficacy light-source and power inside.

Product Dimension



Unit: mm
Tolerance: 5mm

Photometric Data



- Notes :
1. Angle has $\pm 5^\circ$ tolerance.
 2. Flux is measured with an accuracy of $\pm 10\%$.
 3. Flux may decay 10% under thermal balance condition.
 4. Some of data are calculated from reference measurement result.

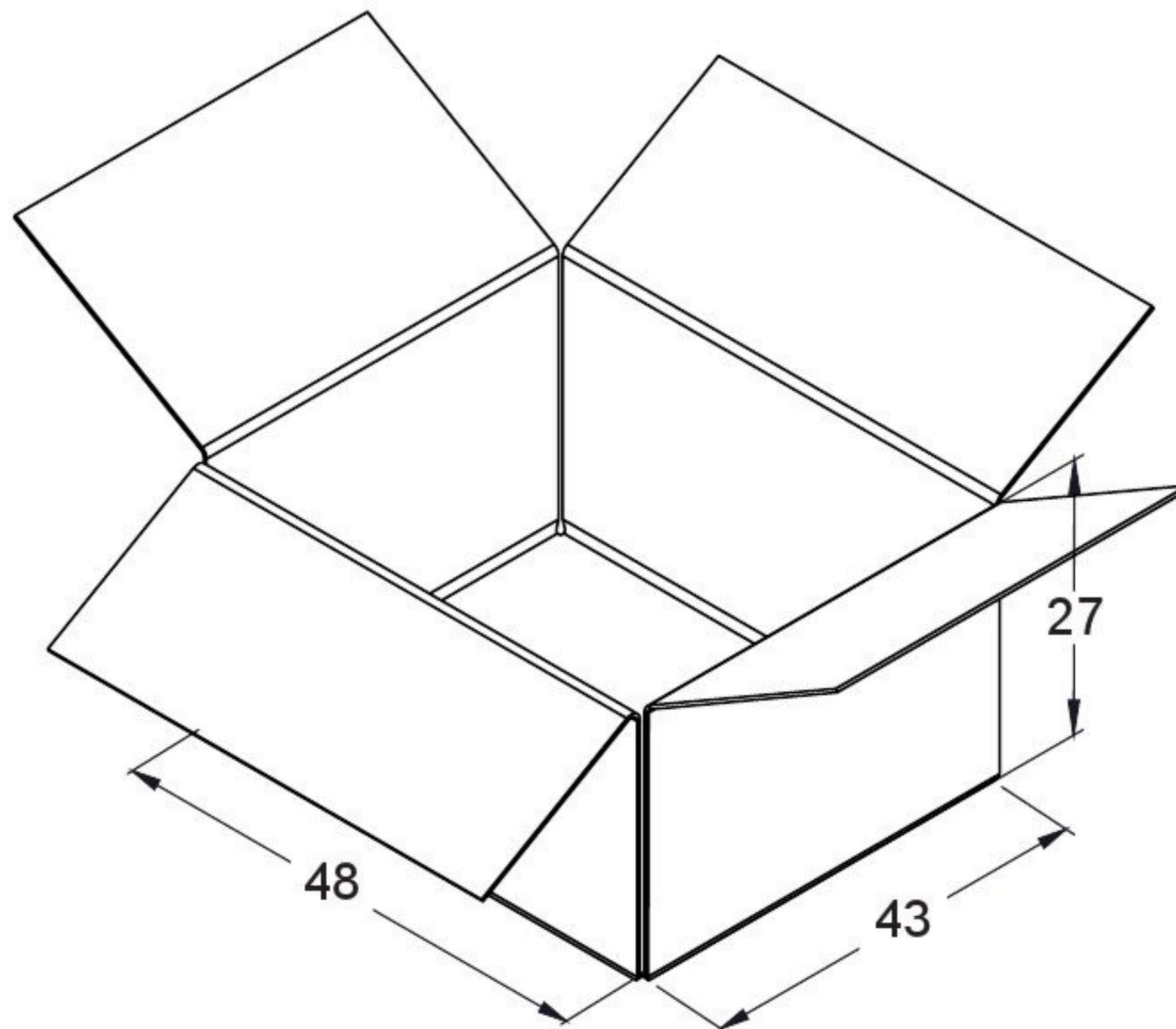
Specification

Items	Value	Unit	Remarks
Power	200	W	Total
Input Voltage	90 - 305	VAC	
Color Temperature	2800 - 6500	K	Customizable
Luminous Efficacy (Light Source)	110	lm/W	@ 6500K
Luminous Efficacy (Total)	80	lm/W	@ 6500K with luminaire and power
Color Rendering Index	70, Max. 90	---	Customizable
Color Difference Δuv	+0.004 ~ -0.004		
Operating Temperature	-20 ~ 40	°C	
Warranty	2 years warranty		

All of the data with 10% tolerance.
Higher CRI or lower CCT will bring lower efficacy.

Package Information

- Weight : 10.5Kg (G.W.) / 8.2 Kg (N.W.)



Unit:cm