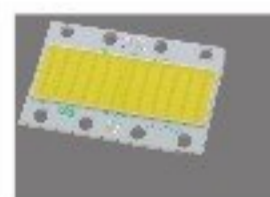


# CSWSPL-60W

## CS Wide Spot Light Series



### Features



1. Features a high-power COB LED light-source using PI base MCPCB with excellent durability and stability at high temperature.



2. LED light source performed excellent light quality in color.



3. Combine the high-efficiency heat conductive LED module and luminaire to make the luminaire the perfect heat-sink itself.

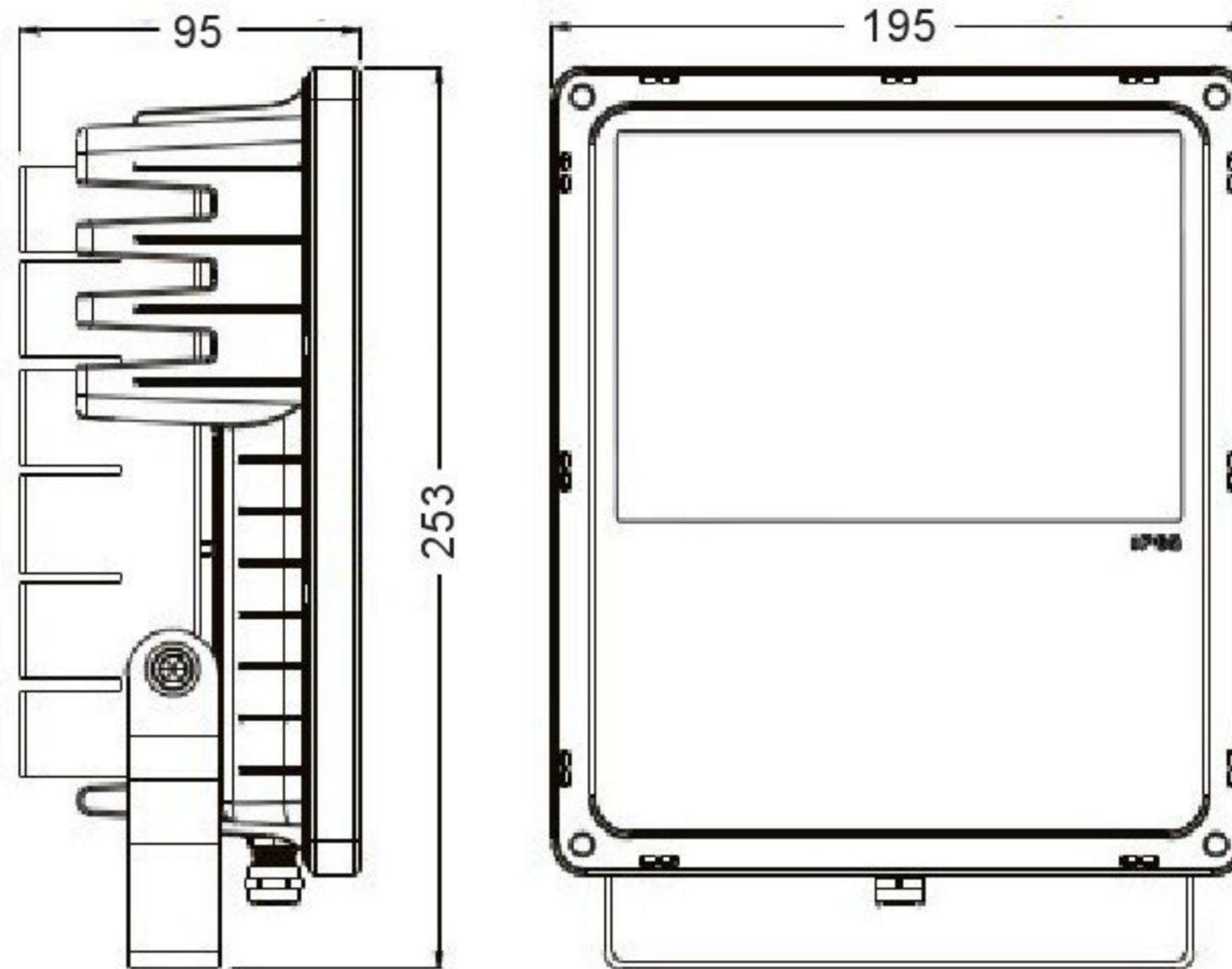


4. All the specification of LED module can be customized.



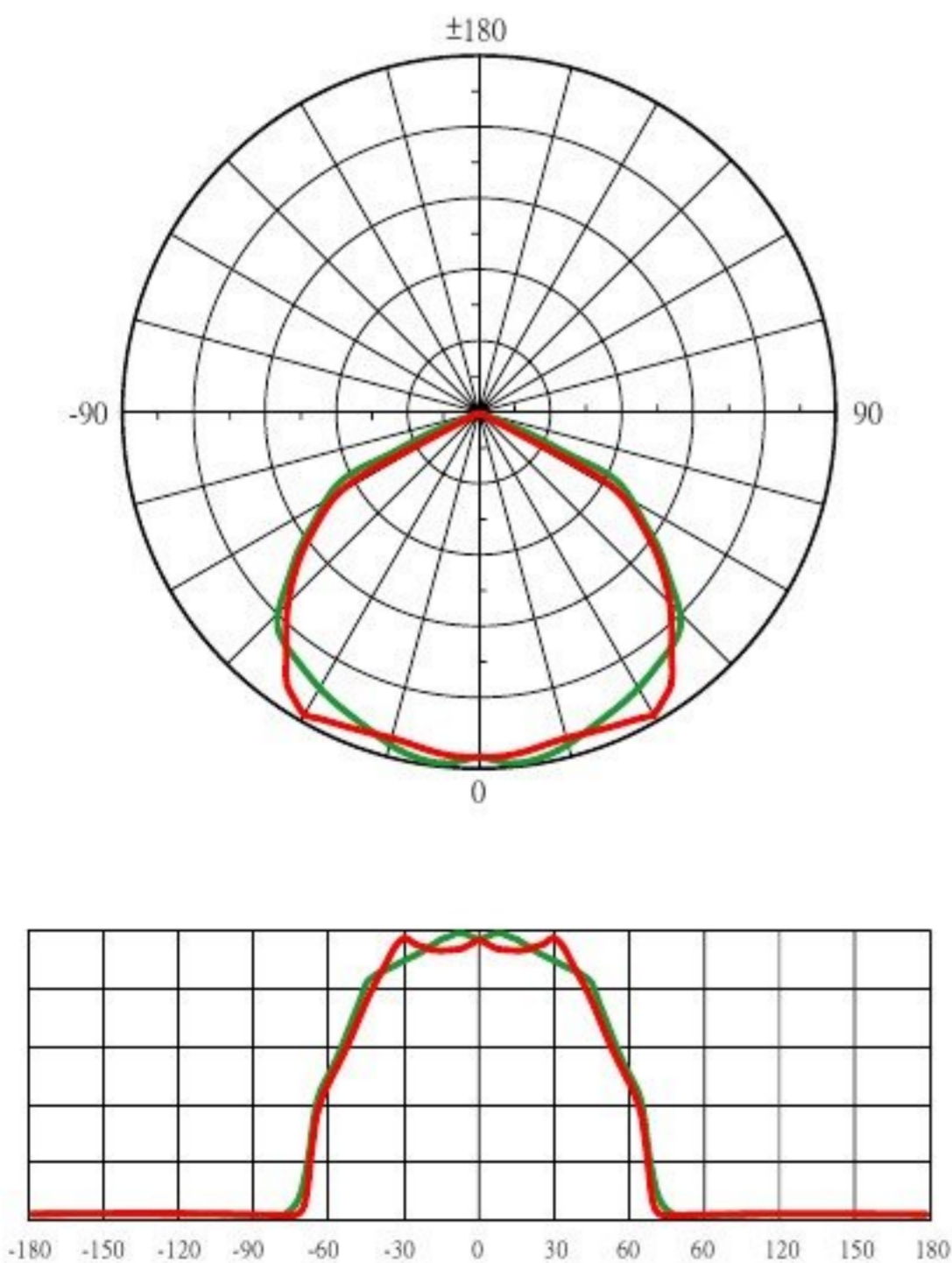
5. Energy saving and long life time with high efficacy light-source and power inside.

## Product Dimension



Unit: mm  
 Tolerance: 5mm

## Photometric Data



Height	illuminance	Beam Angle: 115°	Diameter
1. m	1788.18 lx		145.33 cm
3. m	199.54 lx		435.97 cm
6. m	49.95 lx		875.45 cm
9. m	22.16 lx		1317.62 cm

- Notes :
1. Angle has  $\pm 5^\circ$  tolerance.
  2. Flux is measured with an accuracy of  $\pm 10\%$ .
  3. Flux may decay 10% under thermal balance condition.
  4. Some of data are calculated from reference measurement result.

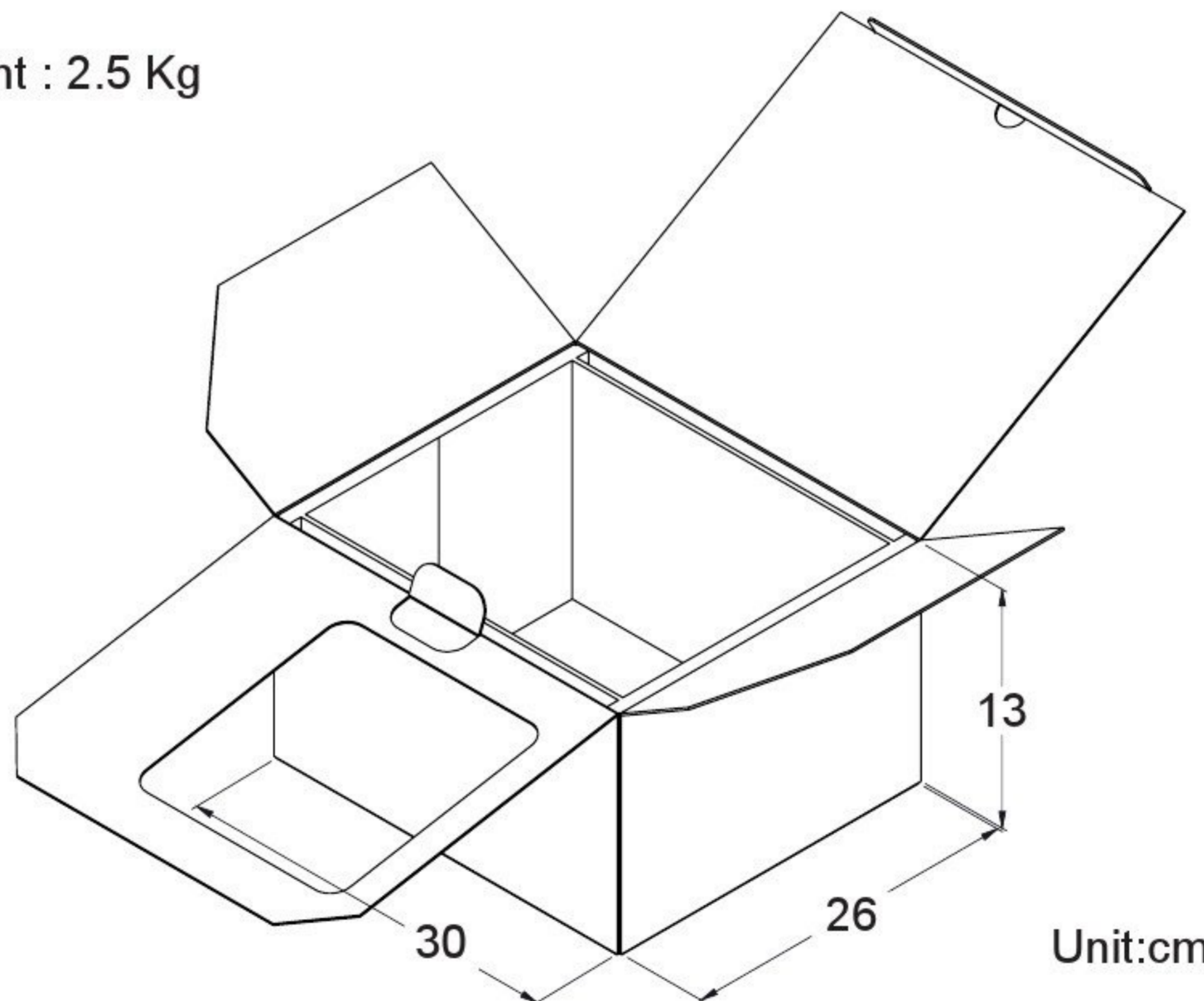
## Specification

Items	Value	Unit	Remarks
Power	60	W	Total
Input Voltage	90 - 295	VAC	
Color Temperature	2800 - 6500	K	Customizable
Luminous Efficacy (Light Source)	110	lm/W	@ 6500K
Luminous Efficacy (Total)	85	lm/W	@ 6500K with luminaire and power
Color Rendering Index	70, Max. 90	---	Customizable
Color Difference $\Delta uv$	+0.004 ~ -0.004		
Operating Temperature	-20 ~ 40	°C	
Weight	2.1	Kg	
Warranty	2 years warranty		

All of the data with 10% tolerance.  
Higher CRI or lower CCT will brings lower efficacy.

## Package Information

- Weight : 2.5 Kg



Unit:cm